



FOOD WARMER DISPLAY CASE

ITEMS: 96002, 96003, 96007



OWNER'S MANUAL AND SAFETY INSTRUCTIONS

SAVE THIS MANUAL: KEEP THIS MANUAL FOR SAFETY WARNINGS, PRECAUTIONS, ASSEMBLY, OPERATING, INSPECTION, MAINTENANCE AND CLEANING PROCEDURES. WRITE THE PRODUCT'S SERIAL NUMBER ON THE BACK OF THE MANUAL NEAR THE ASSEMBLY DIAGRAM (OR MONTH AND YEAR OF PURCHASE IF PRODUCT HAS NO NUMBER)

FOR QUESTIONS PLEASE CALL OUR CUSTOMER SUPPORT: 909.628.0880 MON-FRI 9AM TO 3PM PST



GENERAL SAFETY WARNINGS

Read all safety warnings and instructions. Failure to follow the warnings and instructions may result in fire and/or serious injury. Save all warnings and instructions for future reference.

SAFETY

The warnings, precautions, and instructions discussed in this instruction manual cannot cover all possible conditions and situations that may occur. It must be understood by the operator that common sense and caution are factors which cannot be built into this product, but must be supplied by the operator. Read carefully and understand all **ASSEMBLY AND OPERATION INSTRUCTIONS** before operating. Failure to follow the safety rules and other basic safety precautions may result in serious personal injury.

- Use only grounded electrical outlets matching the nameplate rated voltage.
- Have a qualified person install the equipment in accordance with local codes and ordinances.
- Use equipment in a flat, level position.
- **DO NOT** use an extension cord with this equipment. Do not plug this equipment into a power strip or multi-outlet power cord.
- Unplug equipment and turn off before cleaning or moving.
- **DO NOT** spray controls or outside of equipment with liquids or cleaning agents.
- **DO NOT** clean the equipment with steel wool.
- Keep equipment and power cord away from open flames, electric burners or excessive heat.
- **DO NOT** operate unattended.
- **DO NOT** operate equipment in public areas and/or around children.
- **DO NOT** operate if equipment has been damaged or is malfunctioning in any way.



SAVE THESE WARNINGS

OPERATION

TECHNICAL DATA

MODEL	VOLTAGE	FREQUENCY	POWER	DIMENSIONS	NET WEIGHT
96002	110V	60Hz	1.2Kw	35x19x25in	97lbs
96003	110V	60Hz	1.2Kw	47x19x25in	130lbs
96007	110V	60Hz	1.2Kw	26x19x25in	77lbs

PRIOR TO OPERATION

1. Product must be safety grounded before use.
2. The using voltage should be the same as rated voltage.
3. Before powering on, make sure to add water (0.6 liters) to the basin.
4. Power the food warmer on, the power indicator light should light up., then select the food holding temperature.
5. During use, such as the need for lighting, to open the lighting switch, make operation more convenient and display effect better. At the same time, to open the top of the decorative lights can increase the display effect.
6. Prior to cleaning, be sure to shut the power off to prevent any accidents.
7. During installation, do not place the appliance on surfaces with walls, partitions, kitchen equipment etc, unless they are made or surface coated with non-flammable insulation. Pay attention to waterproof rules.

TRANSPORTATION AND STORAGE

During transport, this product should be handled with care to prevent severe vibration. Packaged products should generally be placed in a well ventilated area, avoiding long term open storage and should be stored in a non-corrosive gas storage.

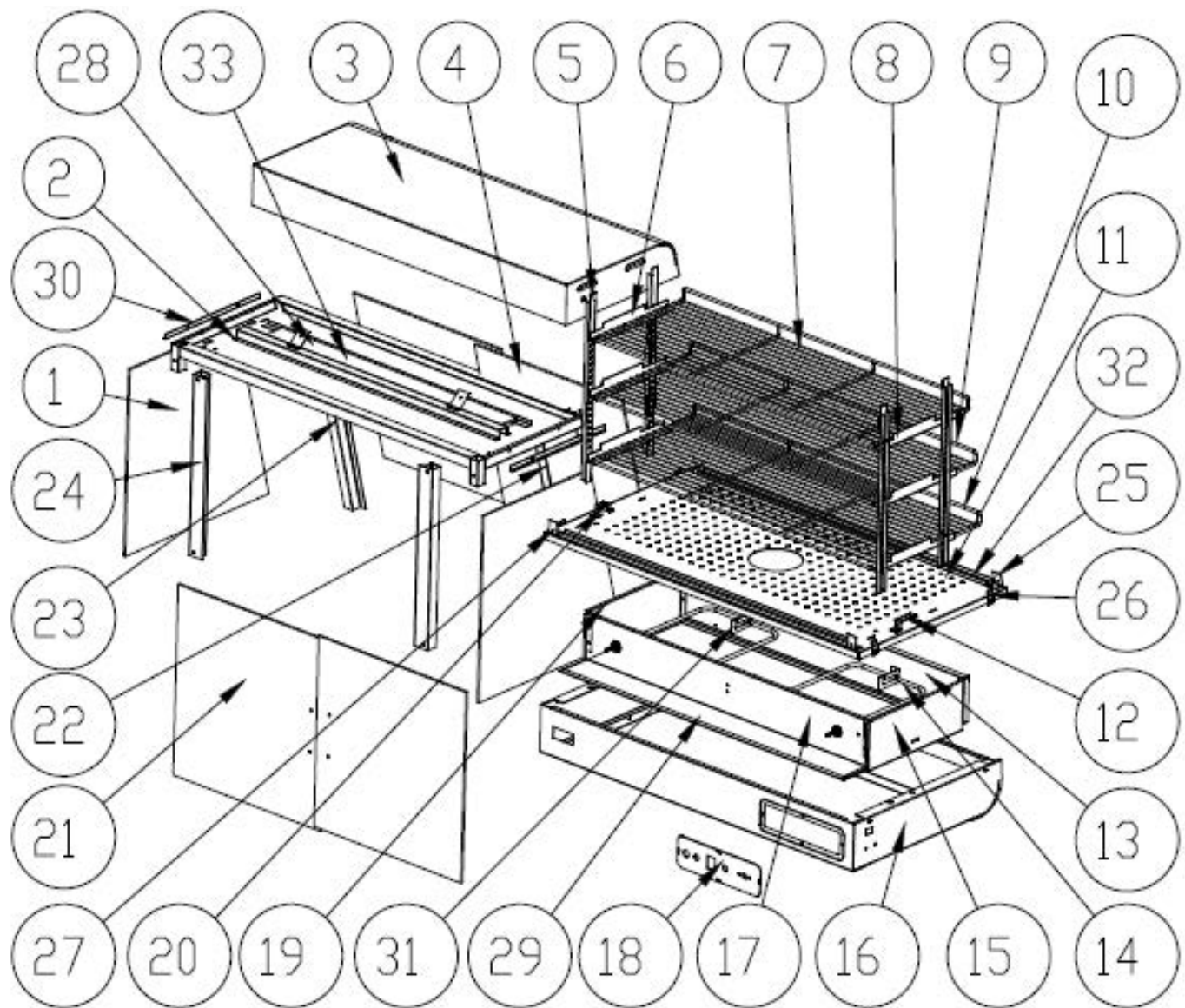
FEATURES AND SPECIFICATIONS



A commercial counter and warmer display case for food is an essential equipment for any food service establishment. It is the best way to display your products to customers while storing them in healthy conditions. This item is made from thickened steel, as well as heat resisting and thermal insulate glass. It is perfect for self-service restaurants or during presentations at concessions stands, food courts, restaurants, corporate dining areas or any food store.

- Precise control of the temperature inside the cabinet visual thermometer, the temperature inside the cabinet is clear at a glance, auxiliary control of fresh temperature, prevent food from drying
- High-quality stainless steel storage tank add water that has the function of moisture, do not add water will not affect, safe use
- Adjust a space at will, the layer that stainless steel adjusts a space is worn hold, can put the height that oneself like at will, the size that can put food at will so need not restrict
- Stainless steel shelf accurately display the appearance of food in the cabinet and help adjust the temperature inside the cabinet to make food taste better
- From 30-80(°C) celsius you can choose the best temperature settings for whatever food you would want to display
- Toughened glass the adoption of four-sided toughened glass has strong moisture permeability, which can display food in all directions and reflect food in multiple dimensions through comprehensive perspective

PARTS DIAGRAM and LIST



#	DESCRIPTION	#	DESCRIPTION	#	DESCRIPTION
1	Side Glass	13	Bottom Rear Plate	25	Connecting Sheet
2	Middle Plate	14	Heating Pipe	26	Glass Pressing Clamp
3	Top Cover	15	Bottom Right Plate	27	Connecting Sheet
4	Bevel Glass	16	Bottom Base	28	Light Fixing Clamp
5	Grid Shelf Post	17	Bottom Front Plate	29	Waste Basin
6	Left Grid Hanging Plate	18	Panel Plate	30	Glass Pressing Strip
7	Grid	19	Bottom Left Plate	31	Heater Fixing Clamp
8	Right Grid Hanging Plate	20	Probe Fixing Clamp	32	Guide Groove
9	Grid	21	Upright Glass	33	Top Glass
10	Grid	22	Right Bevel Post		
11	Bottom Cover Plate	23	Left Bevel Post		
12	Probe Fixing Clamp	24	Upright Post		

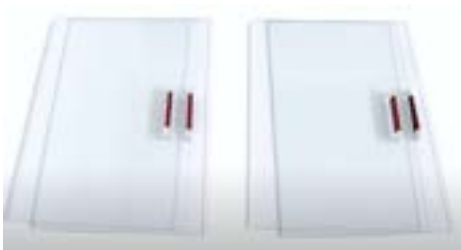
ASSEMBLY



insert your screws into each door



screw in door handles



door handle assembly should look like this



Screw in frame supports securely



Screw in frame supports securely



Position top onto frame supports

ASSEMBLY



Position top onto frame supports



Screw in the top to the base and frame supports

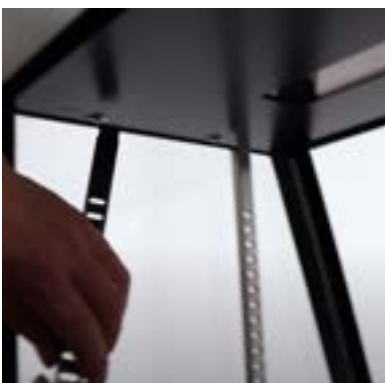


Insert left and right windows and secure them with screws



Pull the power plug through the opening at the top then secure in place

Position the middle brackets and secure with screws



Position the middle brackets and secure with screws

Insert the shelf supports into the perforated slots on the middle brackets then lay your shelf at your preferred level.

ASSEMBLY



Repeat the previous step for the middle and bottom shelves.



Slide in the front and back doors securely. Make sure they slide back and forth easily.



To view the complete assembly video, download a QR reader on your phone and point your camera toward this QR code.

DISCLAIMER

PLEASE READ THE FOLLOWING CAREFULLY

THE MANUFACTURER AND/OR DISTRIBUTOR HAS PROVIDED THE PARTS LIST AND ASSEMBLY DIAGRAM IN THIS MANUAL AS A REFERENCE TOOL ONLY. NEITHER THE MANUFACTURER OR DISTRIBUTOR MAKES ANY REPRESENTATION OR WARRANTY OF ANY KIND TO THE BUYER THAT HE OR SHE IS QUALIFIED TO MAKE ANY REPAIRS TO THE PRODUCT, OR THAT HE OR SHE IS QUALIFIED TO REPLACE ANY PARTS OF THE PRODUCT. IN FACT, THE MANUFACTURER AND/OR DISTRIBUTOR EXPRESSLY STATES THAT ALL REPAIRS AND PARTS REPLACEMENTS SHOULD BE UNDERTAKEN BY CERTIFIED AND LICENSED TECHNICIANS, AND NOT BY THE BUYER. THE BUYER ASSUMES ALL RISK AND LIABILITY ARISING OUT OF HIS OR HER REPAIRS TO THE ORIGINAL PRODUCT OR REPLACEMENT PARTS THERETO, OR ARISING OUT OF HIS OR HER INSTALLATION OF REPLACEMENT PARTS THERETO.

Record Product's Serial Number Here: _____

Note: If product has no serial number, record month and year of purchase instead.

Note: Some parts are listed and shown for illustration purposes only and are not available individually as replacement parts.

The material in this manual is for informational purposes only. The product(s) it describes are subject to change without prior notice, due to the manufacturer's continuous development program. Barton makes no representations or warranties with respect to this manual or with respect to the products described herein. Barton shall not be liable for any damages, losses, costs or expenses, direct, indirect or incidental, consequential or special, arising out of, or related to the use of this material or the products described herein.

Questions, issues or missing parts?

Before returning to your retailer, our customer service team is here to help.



Call Us: 909.628.0880

Email Us: customer@xtremepowerusa.com

Hours of Operation: 9am - 3pm PST Monday - Friday

PRODUCT MADE IN CHINA