



STANDING DOUBLE FRYER

ITEM: 95514



OWNER'S MANUAL AND SAFETY INSTRUCTIONS

SAVE THIS MANUAL: KEEP THIS MANUAL FOR SAFETY WARNINGS, PRECAUTIONS, ASSEMBLY, OPERATING, INSPECTION, MAINTENANCE AND CLEANING PROCEDURES. WRITE THE PRODUCT'S SERIAL NUMBER ON THE BACK OF THE MANUAL NEAR THE ASSEMBLY DIAGRAM (OR MONTH AND YEAR OF PURCHASE IF PRODUCT HAS NO NUMBER)

FOR QUESTIONS PLEASE CALL OUR CUSTOMER SUPPORT: 909.628.0880 MON-FRI 9AM TO 3PM PST

IMPORTANT SAFETY INFORMATION

WARNING

GENERAL SAFETY WARNINGS

Read these instructions for use carefully. Familiarise yourself with the appliance before connecting it to a gas cylinder. Keep these instructions for future reference. This instruction manual contains important information necessary for the proper assembly and safe use of the appliance. Follow all warnings and instructions when using the appliance. If you have questions about assembly, operation, servicing or repair of this product, please call Customer Service at 909.628.0880.

FOR YOUR SAFETY

If you smell gas:

1. Do not attempt to light appliance.
2. Extinguish any open flame.
3. Disconnect from fuel supply.

FOR YOUR SAFETY

Do not store or use gasoline or other liquids with flammable vapors in the vicinity of this or any other appliance.

CARBON MONOXIDE HAZARD

- This appliance can produce carbon monoxide which has no odor.
- **USE EXTREME CAUTION:** Using it in an enclosed space can kill you.
- **NEVER** use this appliance in an enclosed space such as a camper, tent, car or home.
- This stove is a combustion appliance. All combustion appliances produce carbon monoxide (CO) during the combustion process. This product is designed to produce extremely minute, non-hazardous amounts of CO if used and maintained in accordance with all warnings and instructions. **DO NOT** block air flow into or out of the stove.
- Carbon Monoxide (CO) poisoning produces flu-like symptoms, watery eyes, headaches, dizziness, fatigue and possibly death. You can't see it and you can't smell it. It's an invisible killer. If these symptoms are present during operation of this product get fresh air immediately.
- **For outdoor use only.**

EXPLOSION FIRE HAZARD

- Never store propane near high heat, open flames, pilot lights, direct sunlight, other ignition sources or where temperatures exceed 120degrees F (49°C).
- Propane is heavier than air and can accumulate in low places. If you smell gas, leave the area immediately.
- **NEVER** install or remove propane tank while outdoor stove is lighted, near flame, pilot lights, other ignition sources or while outdoor stove is hot to touch.
- During operation, this product can be a source of ignition. Never use the stove in spaces that contain or may contain volatile or airborne combustibles, or products such as gasoline, solvents, paint thinner, dust particles or unknown chemicals. Minimum clearances from combustible materials: 12 inches from the sides & 48 inches from the top.
- Provide adequate clearances around air openings into the combustion chamber.
- **NEVER** use inside house, camper, tent, vehicle or other unventilated or enclosed areas. This stove consumes air (oxygen). **DO NOT** use in unventilated or enclosed areas to avoid endangering your life.

IMPORTANT SAFETY INFORMATION

- This product is fueled by propane gas. Propane gas is invisible, odorless, and flammable. An odorant is normally added to help detect leaks and can be described as a “rotten egg” smell. The odorant can fade over time so leaking gas is not always detectable by smell alone.
- Propane gas is heavier than air and leaking propane will sink to the lowest level possible. It can ignite by ignition sources including matches, lighters, sparks or open flames of any kind many feet away from the original leak. **Use only propane gas set up for vapor withdrawal.**
- Propane gas should be stored or used in compliance with local ordinances and codes or with ANSI/NFPA 58. **Turn off propane when not in use.**
- **CALIFORNIA PROPOSITION 65:WARNING:** This fuel, and by products of combustion of this fuel, contain chemicals known to the state of California to cause cancer, birth defects, or other reproductive harm.
- Keep all connections and fittings clean. Inspect propane cylinder and stove propane connections for damage before attaching.
- During set up, check all connections and fittings for leaks using soapy water. Never use a flame. Bubbles indicate a leak. Check that the connection is not cross-threaded and that it is tight. Perform another leak check. **If there is still a leak, remove the cylinder and contact Stark Tools for service or repairs.**
- Use as a cooking appliance only. **NEVER** alter in any way or use with any device or part not specifically designed and sold for this product.
- Clean stove frequently to avoid grease accumulation and possible grease fires.
- **NEVER** leave stove unattended when hot or in use.
- **Keep out of reach of children.**
- Propane stoves and appliances are for outdoor use only. They should be placed on a flat, level surface that is sturdy and never near a wall or other obstruction.
- Never store propane near high heat, open flames, pilot lights, direct sunlight, other ignition sources. Minimum clearances from combustible materials: 12 inches from the sides and 48 inches from the top.
- When cooking with oils, fire’s can happen easily. Use extreme caution when using this stove and never leave it unattended while in use.
- Be sure to provide adequate clearances around air openings into the combustion chamber.

WARNING: Not for home or recreational vehicle use. We cannot foresee every use which may be made of our products. Check with your local fire safety authority if you have questions about use. Other standards govern the use of fuel gases and heat producing products for specific uses. Your local authorities can advise you about these.

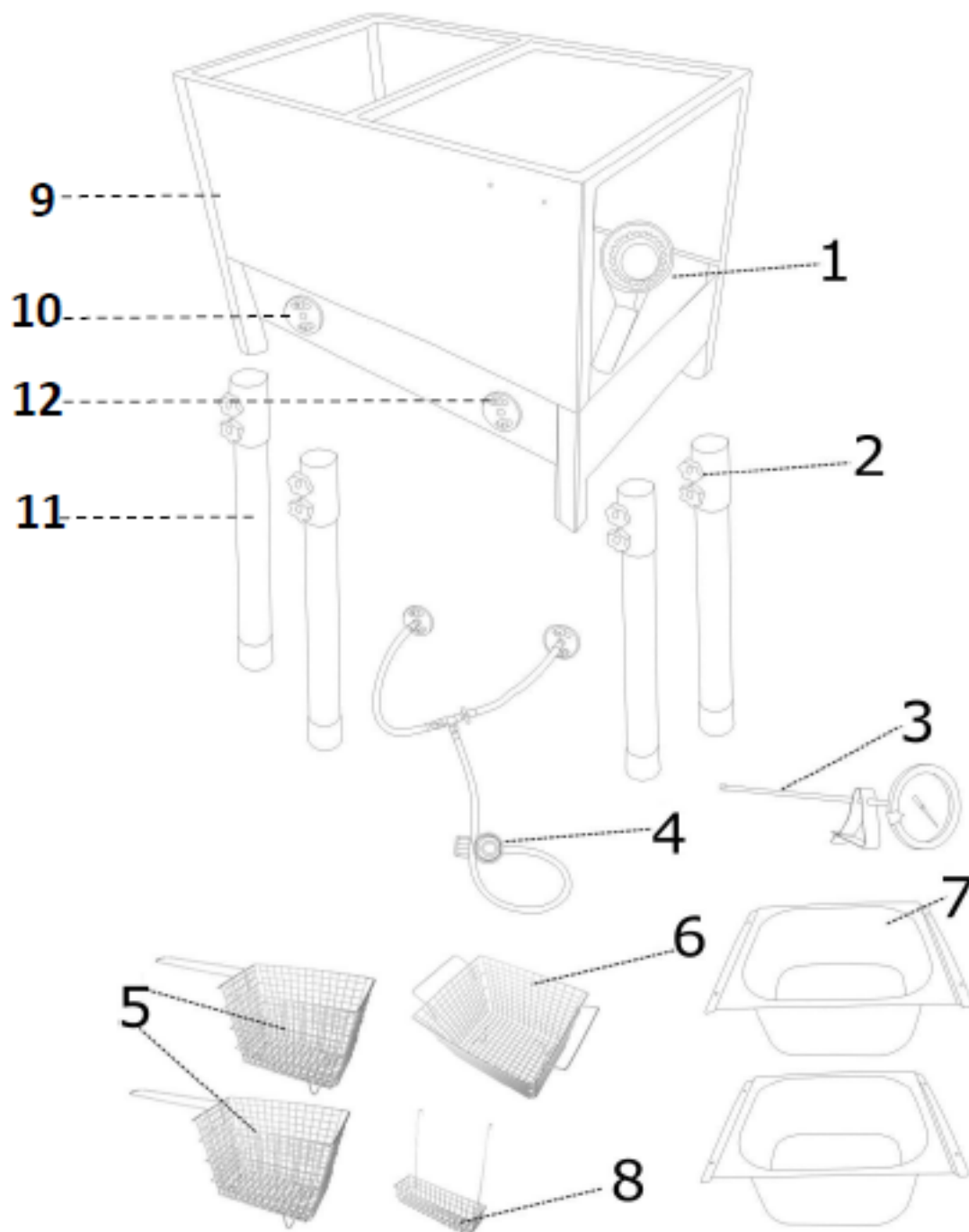
- Never refill disposable cylinders.
- Use the preset regulator that came with the stove. Do not attempt to adjust.

During stove set-up, check all fittings for leaks using soapy water. Never use a flame.



SAVE THESE WARNINGS

PARTS



Tools Needed for Assembly (NOT INCLUDED)

- ✓ Screwdriver
- ✓ Adjustable Wrench (or 10mm wrench)
- ✓ Ignition lighter



No.	Assembly Name	Product No.	QTY
1	Cast iron burner	B30	2 PCS
2	Screw	SP612	8 PCS
3	Thermometer	AC6138-1	1 PC
4	0-10PSI regulator & hose	RG20-6138	1 PC
5	Stainless steel frying basket	AC6138-2	2 PCS
6	Stainless steel frying basket	AC6138-3	1 PC
7	Stainless steel oil tank	AC6138-4	2 PCS
8	Stainless steel frying basket	AC6138-5	1 PC
9	Iron frame	AC6138-6	1 PC
10	Air damper	W3831	2 PCS
11	Leg	L6138	4 PCS
12	Screw	S610	4 PCS

ASSEMBLY

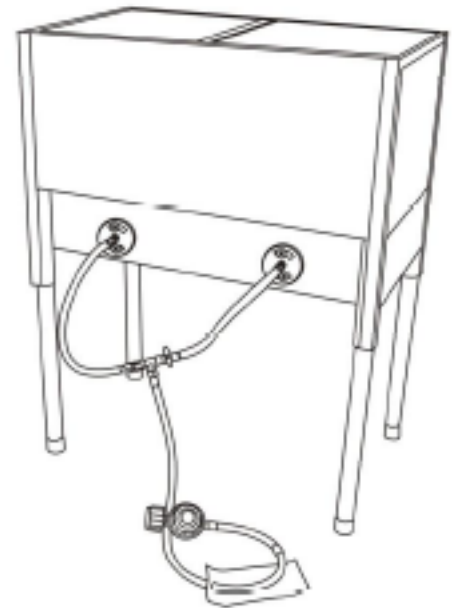
Step1



Step2



Step3



Step 1: Take out the burner flame

Step 2: Install four legs with screws

Step 3: Install the regulator gas hose

- 110,000 BTU Cast Iron Burner
- Removable oil tanks
- Fryer Basker with carrying handles
- Detachable leg for easier storage
- Individual regulator controls
- CSA Certificate Regulator
- 12" Thermometer



Individual Frame Control Knob

Double Deep Fryer



OPERATION

PREPARATION

Step 1: Follow “ASSEMBLY INSTRUCTION” to install burner and assemble unit.

Step 2: Place stove on a level and stable surface.

Step 3: Make sure there is propane in the tank and it is turned OFF, connect propane tank and stove with regulator and hose.



GAS LEAK TESTING

Step 1: Slowly open propane tank valve and check for leaks by applying small amount of liquid soap and look for bubbles. If you smell gas, TURN OFF propane valve immediately.

Step 2: Detach and reconnect the regulator on tank and test it again, if leaking continues, please stop using and contact retailer/distributor for help.

Step 3: If no gas is detected, please follow Part Three OPERATION.



GAS LEAK TESTING

Step 1: Hold a fire lighter near the burner (Picture 2).

Step 2: Open regulator valve slowly (Put picture 3 to the “ON” position).

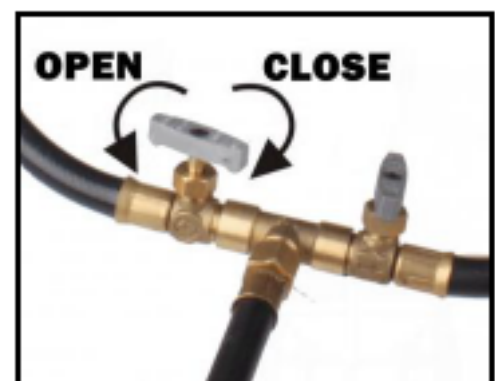
Step 3: Put regulator knob to “OPEN” position (Picture 4), please note that these two knobs are individual.

Step 4: If flame is not blue, please use installing tools to release screws on the air damper(Picture 1), slowly adjust the air damper up and down until burner has blue flame, some yellow tipping of the flame is normal. Please screw the air damper tight when you gain blue flame.

Step 5: Place stainless steel oil tank, fryer basket on burner for cooking fish, chicken, fires, onion rings, cheese curds and more! (Picture 5)

Step 6: To gain necessary flame height and heat by rolling regulator. (Picture 3).

Step 7: Use different temperature for cooking different foods, please use the thermometer to test oil first.





OPERATION

SUGGESTED COOKING TIMES

Food	Cutting size	Cooking way	Temperature	Time in minutes
Potato	French fries	Cut in uniform pieces 1/2", square the long way.	350	5-7
	Blanch only	Cut in uniform pieces 3/4", square the long way.	350	3-1/2
	Brown only	Soak in cold running water until water does not run milky.	350	3-1/2
	Long branch		350	7-10
	Chips		350	2-3
Chicken	Large pieces(1/2 chicken)	Optional method: apply egg wash, roll in seasoned flour, and fry.	325	9-11
	Small pieces		340	7-10
	Precooked		350	3-4
Fish	Fillets (large)	Fillets of uniform size.	350	4
	Fillets (small)	Skin out and dry.	350	3
	Oysters	Use oyster liquor in batter or breading.	350	5
	Clams	Optional method: soak 1/2 hour in cold seasoned milk.	350	1
	Scallops		350	4
	Shrimp	Cut spinal cord several places to prevent curling.	350	3
	Smelts		350	4
Meat	Chicken fried steak	Sever all connecting membranes at one inch intervals to prevent curling.	365	3-4
	Cutlets		350	3-4
	Chops		340	3-4
	Meatballs		340	4-6
	Brains		340	3-5
Vegetable	Asparagus	Precook in salted water.	350	3
	Cauliflower	Precook and sepa rate flowers.	350	3
	Eggplant	Peel,cut cross-wise into 1/4" slices.	350	3
	Onions	Slice thin, soak in milk for two hours.	350	3

CLEANING

1. Allow burners and oil tank, baskets to cool completely.
2. Turn regulator (Picture 3&4) to the OFF/CLOSE position, remove propane hose from tank and stove.
3. Clean the stainless steel baskets, oil tank, cast iron burner thoroughly with soapy water and dry them with dry and soft cloth.
4. When not in use, store the product in a place which is dry and out of direct sunlight.

 DANGER PELIGRO	CARBON MONOXIDE HAZARD
	<p>Never use this product in an enclosed space.</p> <p>This appliance can produce carbon monoxide which has no odor. It may seriously danger you or others, including property.</p>

PLEASE READ THE FOLLOWING CAREFULLY

THE MANUFACTURER AND/OR DISTRIBUTOR HAS PROVIDED THE PARTS LIST AND ASSEMBLY DIAGRAM IN THIS MANUAL AS A REFERENCE TOOL ONLY. NEITHER THE MANUFACTURER OR DISTRIBUTOR MAKES ANY REPRESENTATION OR WARRANTY OF ANY KIND TO THE BUYER THAT HE OR SHE IS QUALIFIED TO MAKE ANY REPAIRS TO THE PRODUCT, OR THAT HE OR SHE IS QUALIFIED TO REPLACE ANY PARTS OF THE PRODUCT. IN FACT, THE MANUFACTURER AND/OR DISTRIBUTOR EXPRESSLY STATES THAT ALL REPAIRS AND PARTS REPLACEMENTS SHOULD BE UNDERTAKEN BY CERTIFIED AND LICENSED TECHNICIANS, AND NOT BY THE BUYER. THE BUYER ASSUMES ALL RISK AND LIABILITY ARISING OUT OF HIS OR HER REPAIRS TO THE ORIGINAL PRODUCT OR REPLACEMENT PARTS THERETO, OR ARISING OUT OF HIS OR HER INSTALLATION OF REPLACEMENT PARTS THERETO.

Questions, problems, missing parts?



Before returning to your retailer, our exceptional customer service is here to help.

Call Us: 909.628.0880

Email Us: customer@bartonliving.com

Hours of Operation: 9am - 4pm (Monday - Friday)

PRODUCT MADE IN CHINA