



## FIREPLACE MANTEL

ITEM: 95132 (IVORY) / 95133 (ESPRESSO)

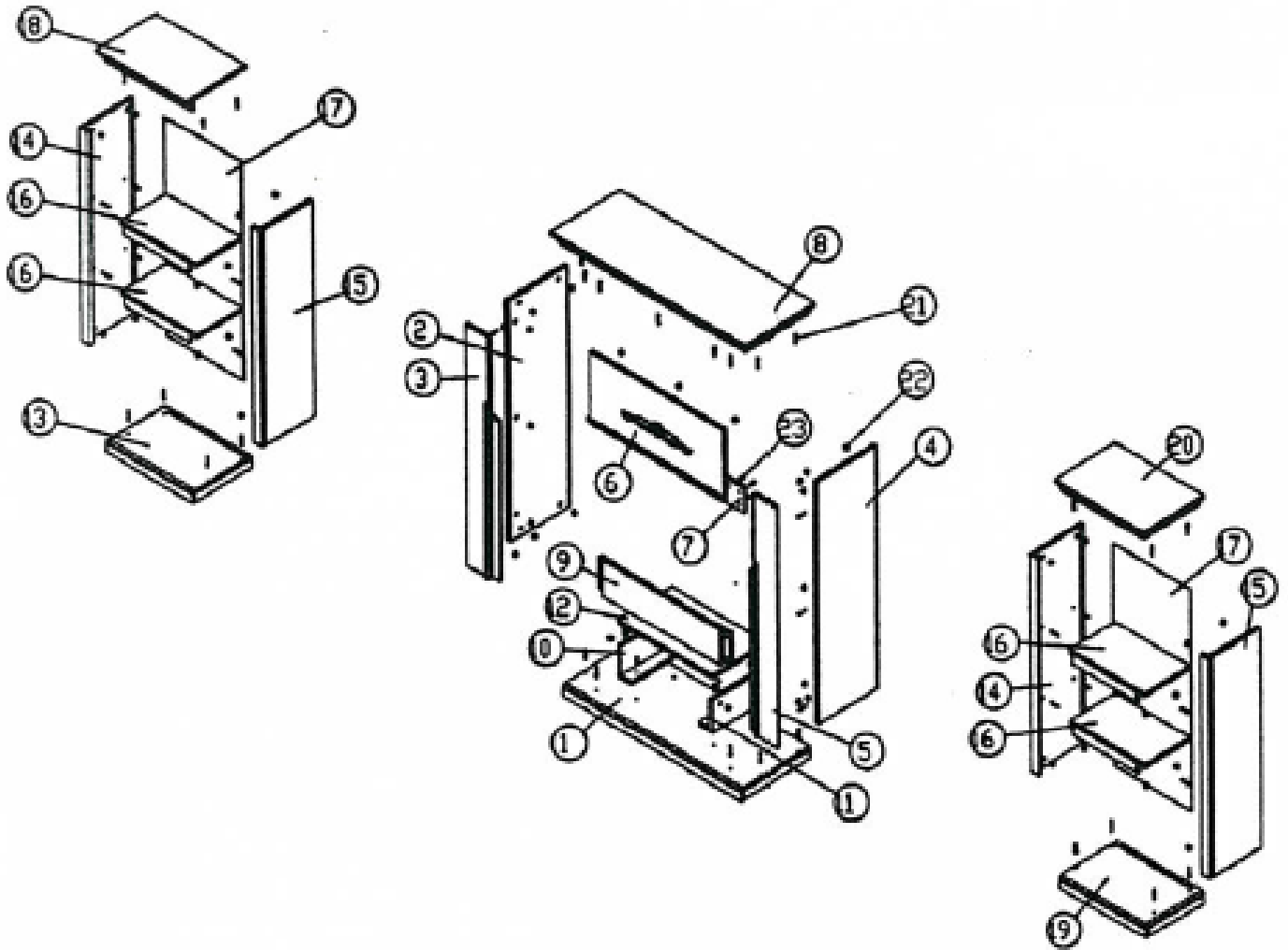




















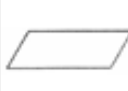




## OWNER'S MANUAL AND SAFETY INSTRUCTIONS

SAVE THIS MANUAL: KEEP THIS MANUAL FOR SAFETY WARNINGS, PRECAUTIONS, ASSEMBLY, OPERATING, INSPECTION, MAINTENANCE AND CLEANING PROCEDURES. WRITE THE PRODUCT'S SERIAL NUMBER ON THE BACK OF THE MANUAL NEAR THE ASSEMBLY DIAGRAM (OR MONTH AND YEAR OF PURCHASE IF PRODUCT HAS NO NUMBER).

FOR QUESTIONS PLEASE CALL OUR CUSTOMER SUPPORT: (909) 628 0880 MON-FRI 9AM TO 3PM PST

# PARTS LIST



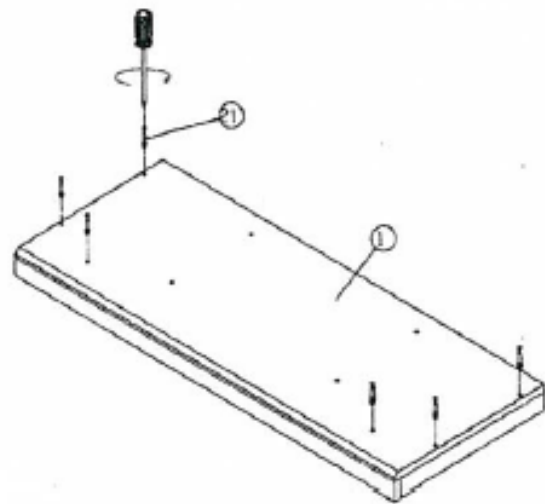
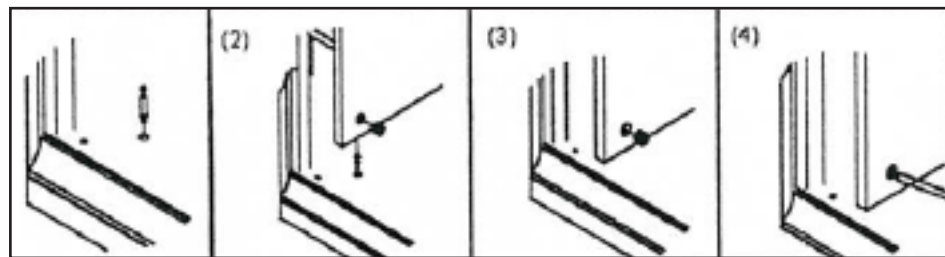
1	Base		7	Fixed Front Panel		13	Base A		19	Base B	
2	Left Side Panel		8	Top Panel		14	Left Side Panel A & B		20	Top Panel B	
3	Right Side Panel		9	Lower Front Panel		15	Right Side Panel A & B		21	Cam Bolt x57	
4	Left Vertical Panel		10	Left Support Panel		16	Fixed Panel A & B		22	Cam Lock	
5	Right Vertical Panel		11	Right Support Panel		17	Back Panel A & B		23	Flat Head Screw x15	
6	Upper Front Panel		12	Middle Support Panel		18	Top Panel A & B				

# ASSEMBLY

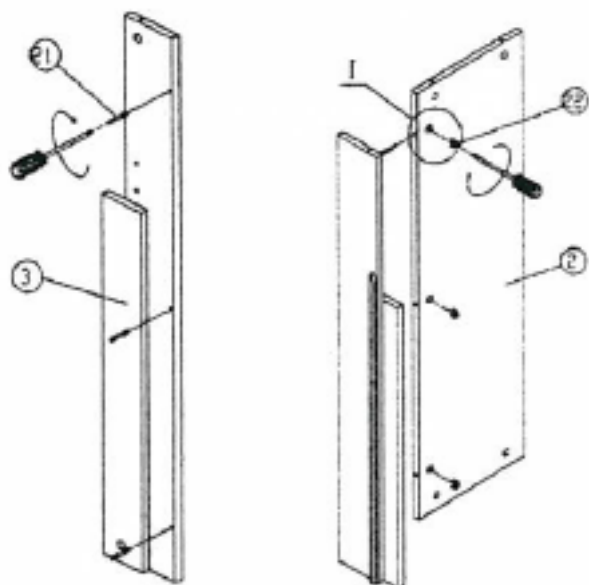
## MAIN MANTEL ASSEMBLY

**Step 1.** Finger tighten cam bolts to help align. Screw cam bolts (21) into the holes on base (1).

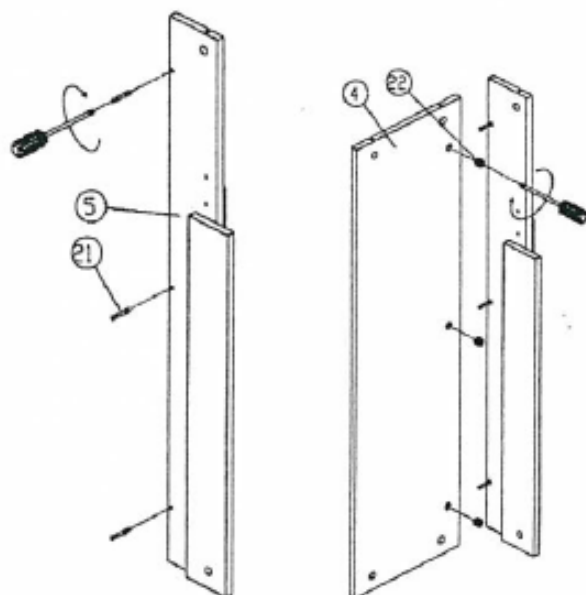
Do not over tighten the cam bolts.



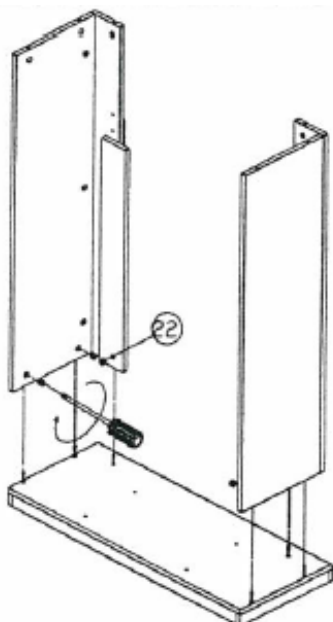
**Step 2.** Insert the cam bolts (21) into the left vertical front panel (3). Then insert the cam bolts (21) into the left side panel (2), tighten by rotating the cam locks (22) clockwise with a Phillips screwdriver.



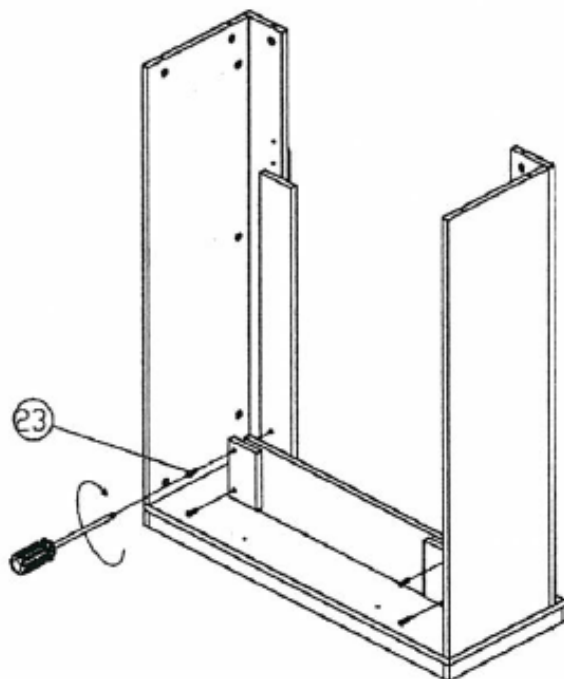
**Step 3.** Insert the cam bolts (21) into the left vertical front panel (5). Then insert the cam bolts (21) into the left side panel (4), tighten by rotating the cam locks (22) clockwise with a Phillips screwdriver.



**Step 4.** Attach assembled unit on Step 2 and assemble unit on step 3 to the base on step 1 using cam bolts (21) into the corresponding holes onto base (1). Tighten by rotating cam locks.

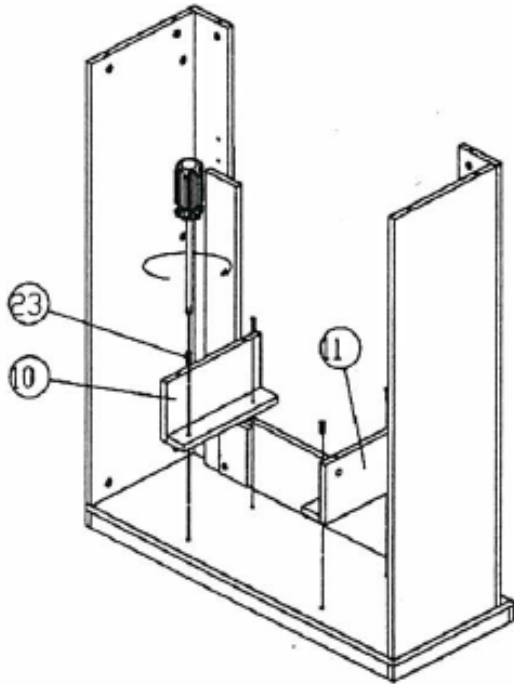


**Step 5.** Tighten lower front (9) panel to the unit on step 4 by screw (23)

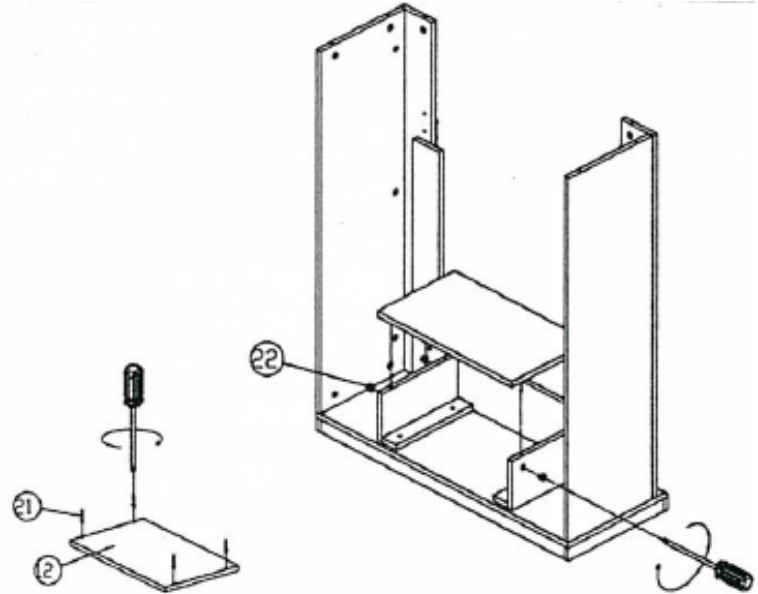


# ASSEMBLY

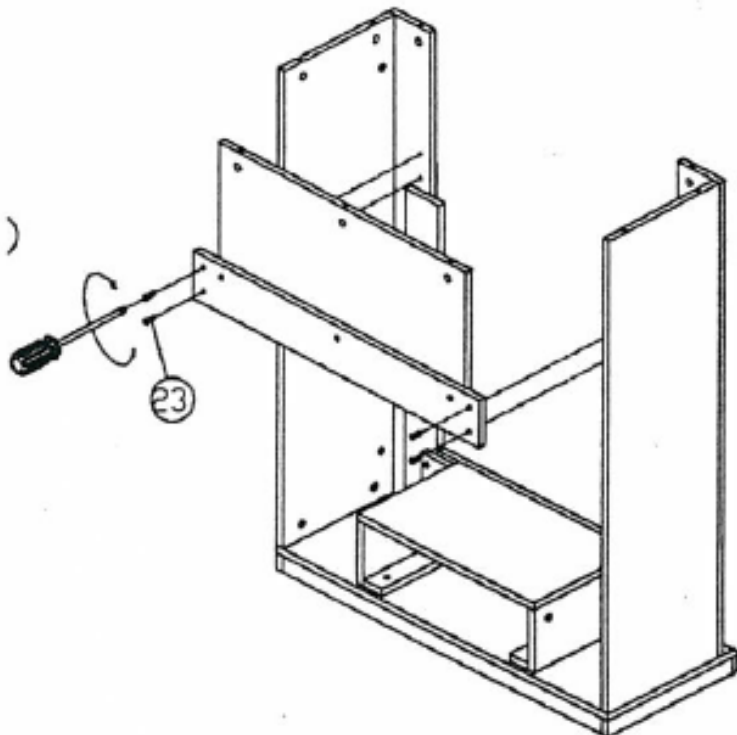
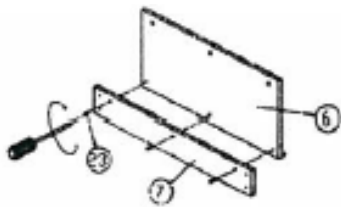
**Step 6.** Screw the left support panel (10) and the right support pane (11) into the holes on the base.



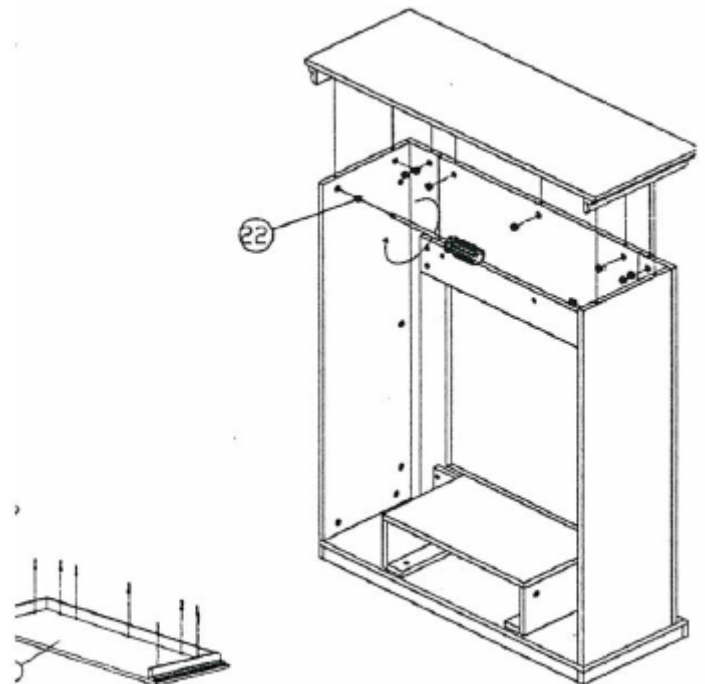
**Step 7.** Screw cam bolts (21) into middle support panel (12). Attach the middle support panel (12) to the unit on step 6 by cam bolts (21) into corresponding holes. Tighten by rotating cam locks with Phillips screwdriver.



**Step 8.** Tighten the upper front panel (6) to fixed front panel (7) with screws (23). Use screws to connect the fixed front panel (7) by 4 pieces of flat head screws (23).

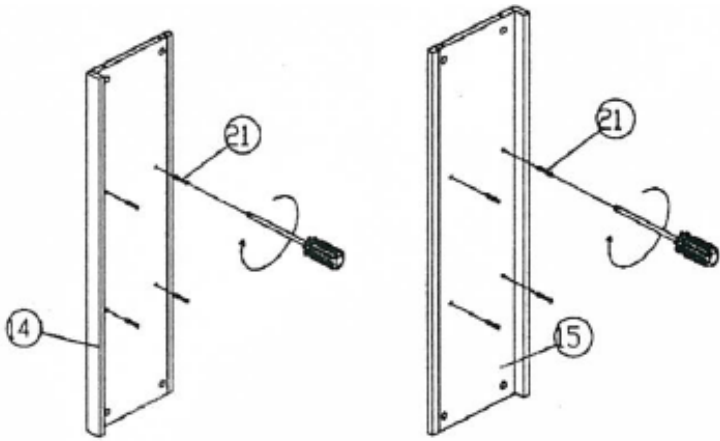


**Step 9.** Screw cam bolts (21) into holes on top panel (8). Attach top panel to assemble unit on step 8 by cam bolts (21) into corresponding holes until top panel (8) and assemble. Tight by rotating cam locks clockwise with screwdriver.

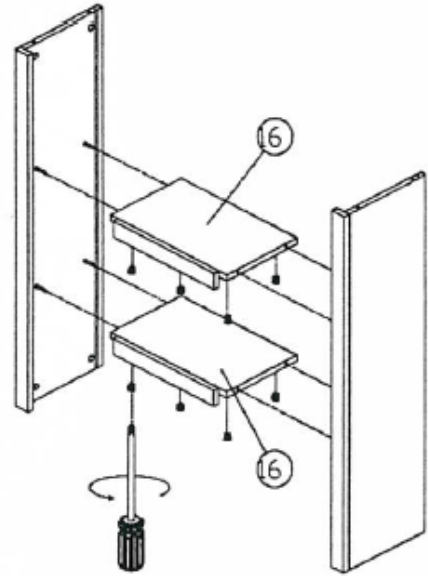


# ASSEMBLY

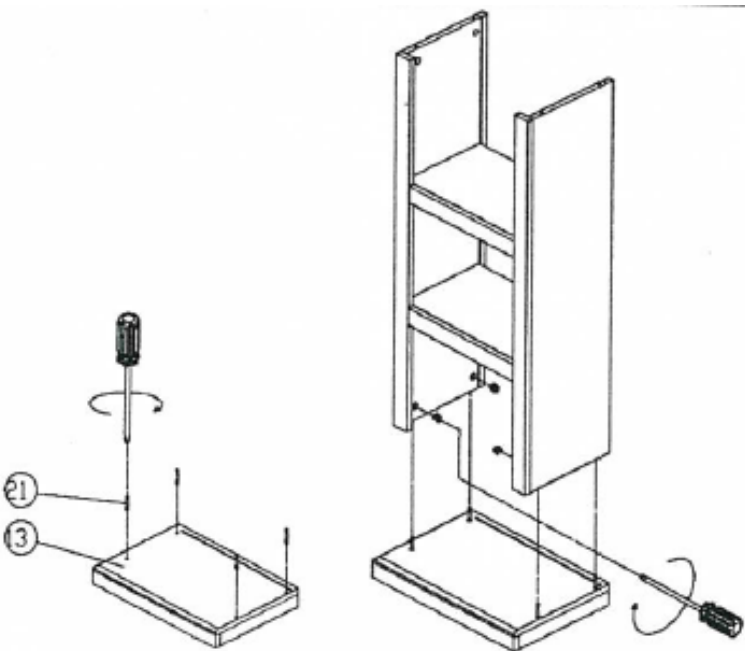
**Step 10.** Insert cam bolts (21) to the left side panel (14) and the right side panel (15). Tighten cam bolts with a screwdriver.



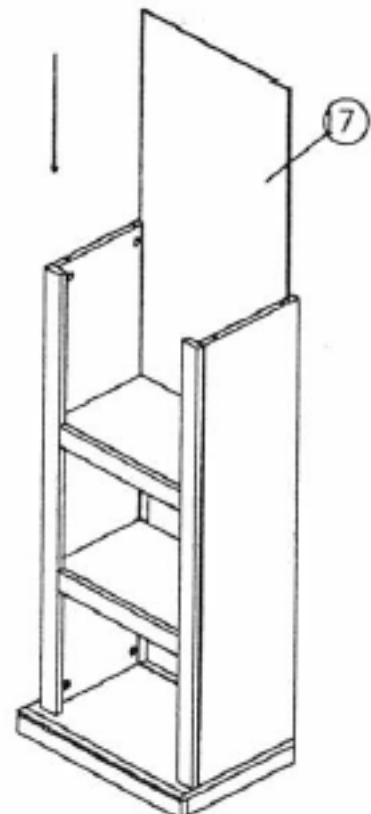
**Step 11.** Attach assembled unit on step 10 to fixed panel (16) by cam bolts (21) into corresponding holes into the fixed panel. Tight by rotating cam locks clockwise with screwdriver.



**Step 12.** Screw cam bolts (21) into holes on base (18). Attach base to assembled unit on step 11 by cam bolts (21) into corresponding holes until base and assembled unit on step 11. Tighten by rotating cam locks with Phillips screwdriver.

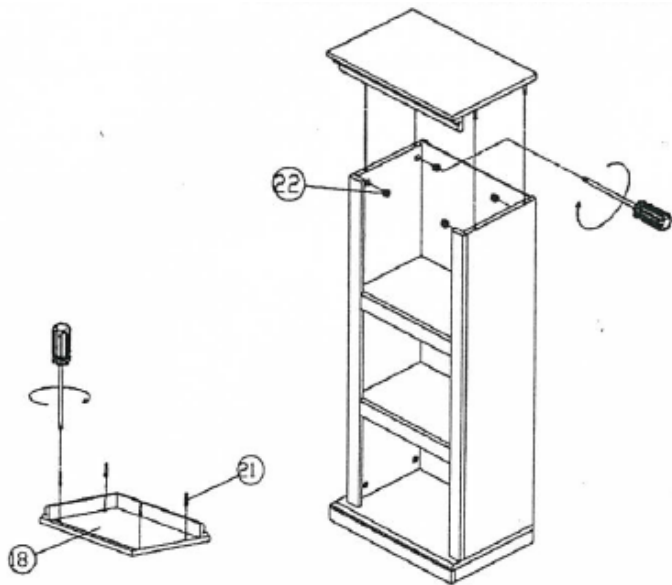


**Step 13.** Insert the back panel (17) into the assembled unit on step 12.

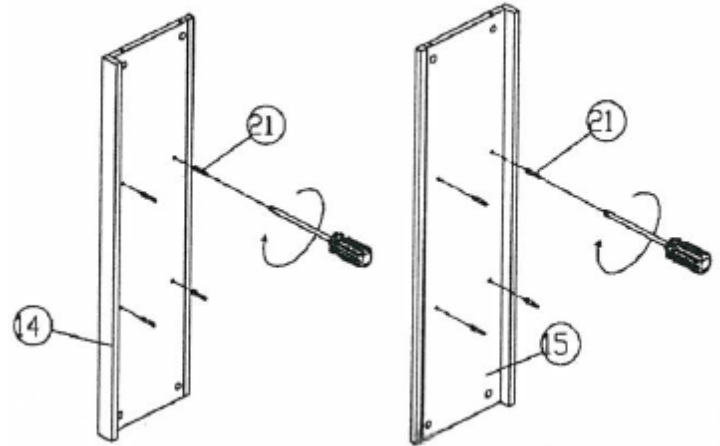


# INFORMATION

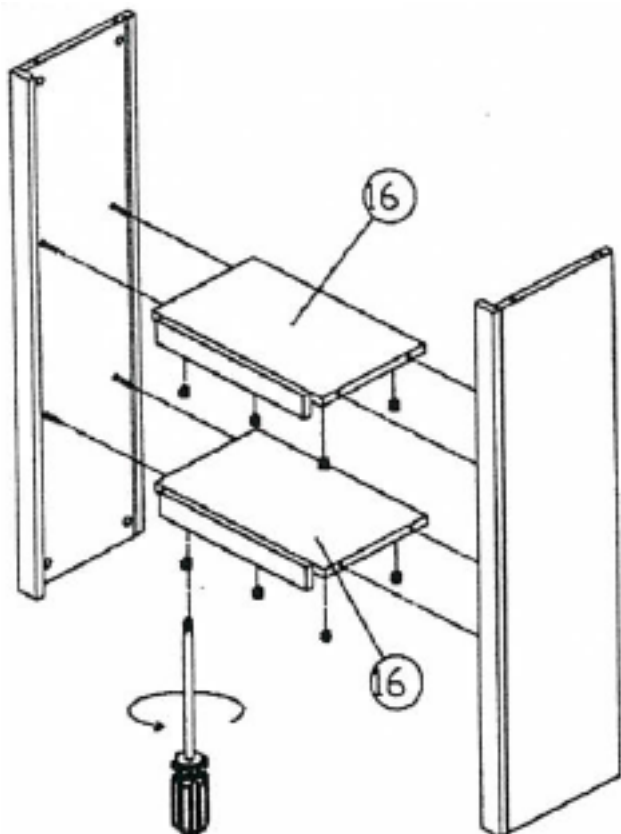
**Step 14.** Screw cam bolts (21) into holes on top panel (18). Attach top panel to assembled unit on step 13 by cam bolts (21) into corresponding holes into top panel (18). Assemble unit until step 13 meet. Tighten by rotating cam locks with Phillips screwdriver.



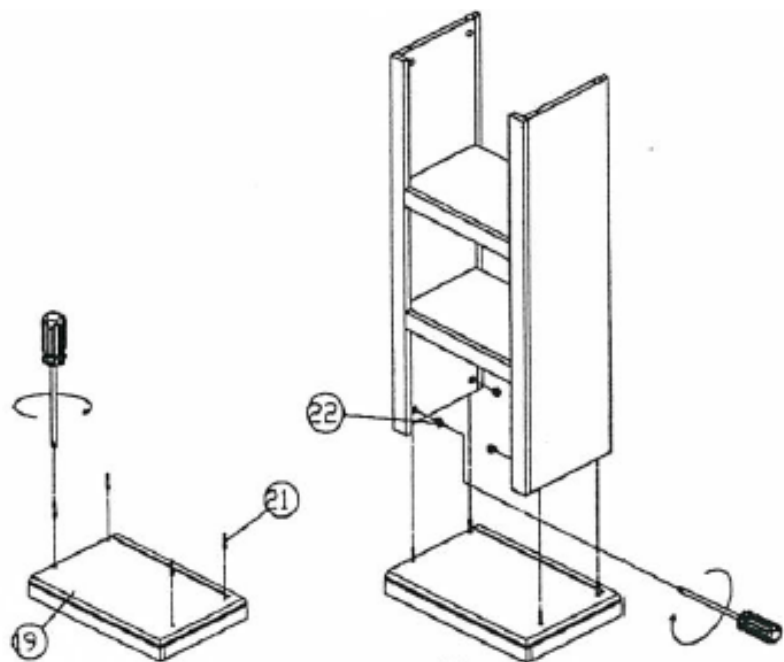
**Step 15.** Insert the cam bolts (21) to the left side panel (14) and the right side panel (15). Tighten by rotating cam locks with screwdriver.



**Step 16.** Attach assembled unit on step 10 to fixed panel (16) by cam bolts (21) into corresponding holes into the fixed panel. Tighten by rotating cam locks clockwise with screwdriver.

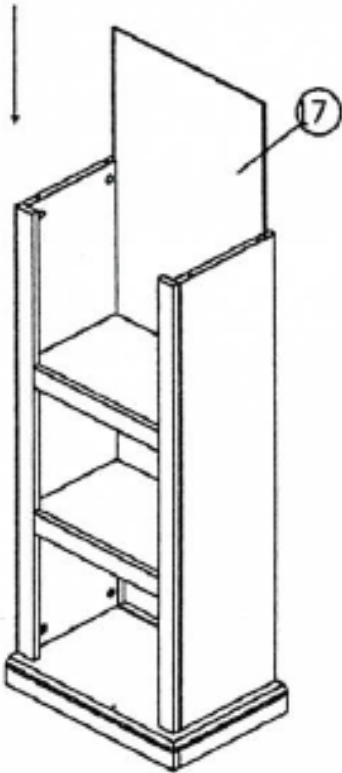


**Step 17.** Screw cam bolts (21) into the holes on base (19). Attach base to assemble unit to step (16) by cam bolts (21) into corresponding holes until base and assemble until unit on step 16 meet up. Tighten by rotating cam locks with screwdriver.

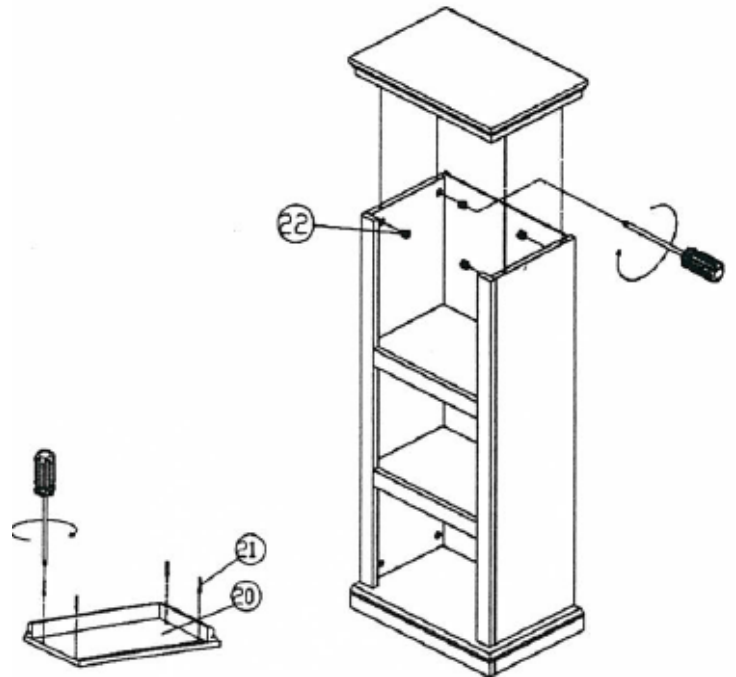


# ASSEMBLE

**Step 18.** Insert the back panel (17) into the assembled unit on step 17.



**Step 19.** Screw cam bolts (21) into the holes on top panel (20). Attach the top panel to the assembled unit on step 18 by cam bolts into corresponding holes until top panel (20) and assemble until unit on step 18 meet up.



# DISCLAIMER

## PLEASE READ THE FOLLOWING CAREFULLY

THE MANUFACTURER AND/OR DISTRIBUTOR HAS PROVIDED THE PARTS LIST AND ASSEMBLY DIAGRAM IN THIS MANUAL AS A REFERENCE TOOL ONLY. NEITHER THE MANUFACTURER OR DISTRIBUTOR MAKES ANY REPRESENTATION OR WARRANTY OF ANY KIND TO THE BUYER THAT HE OR SHE IS QUALIFIED TO MAKE ANY REPAIRS TO THE PRODUCT, OR THAT HE OR SHE IS QUALIFIED TO REPLACE ANY PARTS OF THE PRODUCT. IN FACT, THE MANUFACTURER AND/OR DISTRIBUTOR EXPRESSLY STATES THAT ALL REPAIRS AND PARTS REPLACEMENTS SHOULD BE UNDERTAKEN BY CERTIFIED AND LICENSED TECHNICIANS, AND NOT BY THE BUYER. THE BUYER ASSUMES ALL RISK AND LIABILITY ARISING OUT OF HIS OR HER REPAIRS TO THE ORIGINAL PRODUCT OR REPLACEMENT PARTS THERETO, OR ARISING OUT OF HIS OR HER INSTALLATION OF REPLACEMENT PARTS THERETO.

**Record Product's Serial Number Here:** \_\_\_\_\_

**Note:** If product has no serial number, record month and year of purchase instead.

**Note:** Some parts are listed and shown for illustration purposes only and are not available individually as replacement parts.



**SAVE THESE INSTRUCTIONS.**

### Questions, Problems or Missing Parts?

*Before returning to a retailer, our exceptional customer service is available to help.*

*Call Us: 909.628.0880*

*Hours of Operation: 9 to 4pm PST, Monday - Friday*

*Email: [customer@bartonliving.com](mailto:customer@bartonliving.com)*



**PRODUCT MADE IN CHINA**