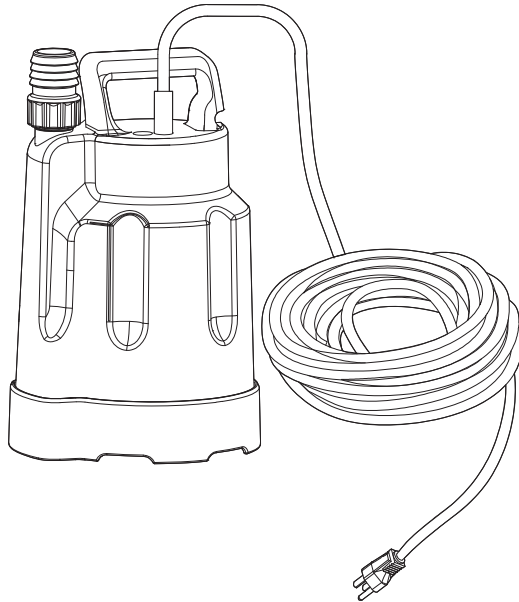




SUBMERSIBLE UTILITY PUMP

SKU: 76047

1/3HP 1690GPH MAX HTH 30FT



E248578
QSB-IH-450109



ASSEMBLY AND USER'S GUIDE

76047



IMPORTANT:

This Pump Has Been Evaluated for Use With Water Only

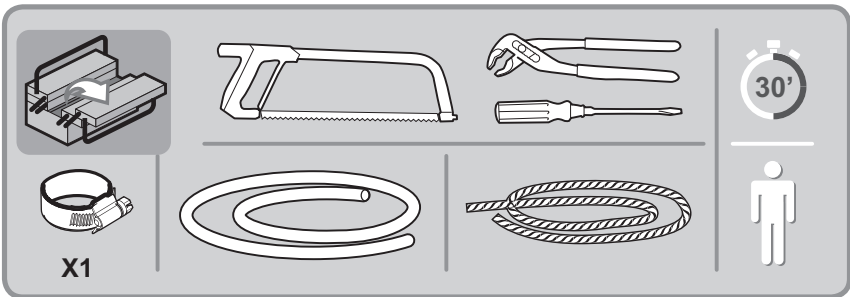
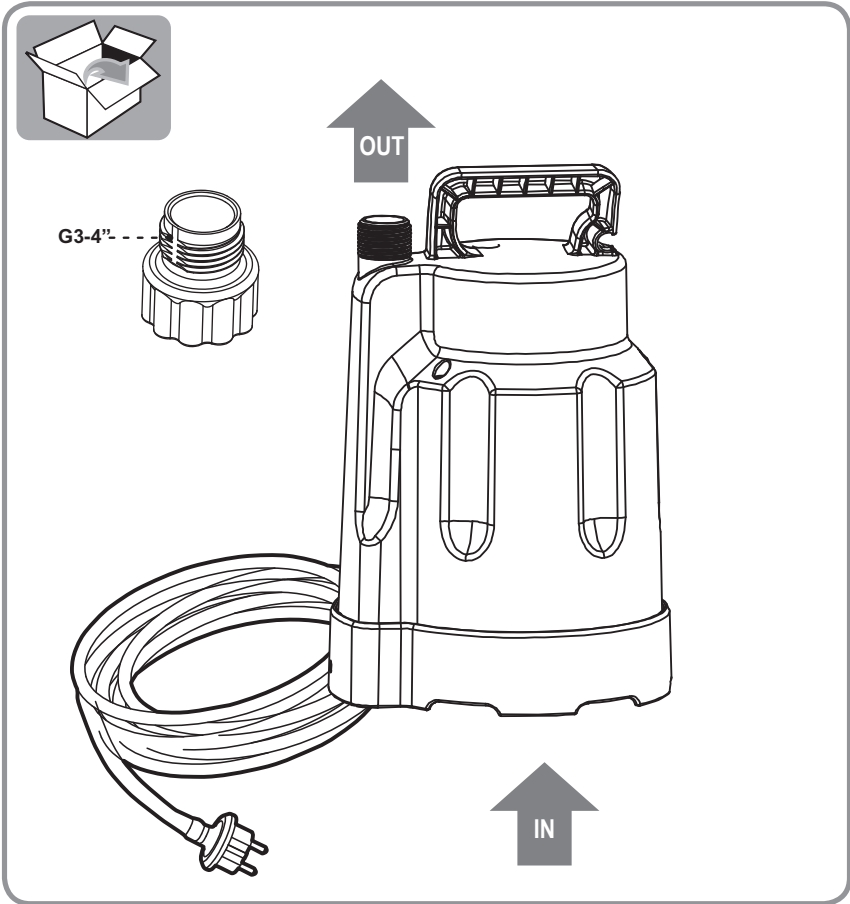
WARNING -"Risk of electric shock - This pump is supplied with a grounding conductor and grounding type attachment plug. To reduce the risk of electric shock, be certain that it is connected only to properly grounded, grounding-type receptacle".



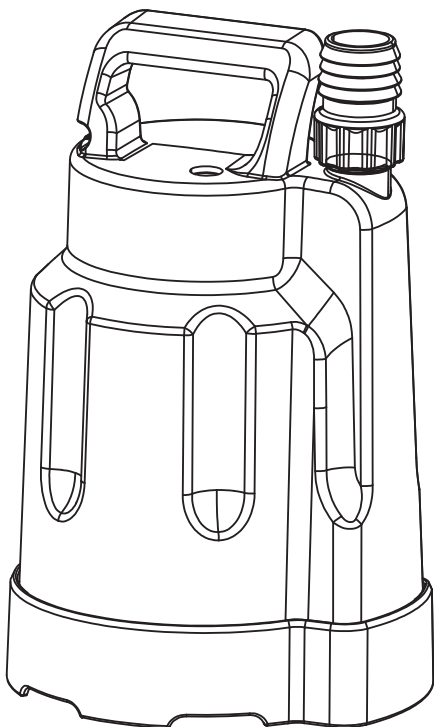
TABLE OF CONTENT

TABLE OF CONTENTS.....	1
QUICK START.....	2
INTRODUCTION AND SAFETY.....	6
INTRODUCTION AND COMMISSIONING.....	8
OPERATION.....	9
TROUBLE SHOOTING.....	10
MAINTENANCE.....	11
SPECIFICATION.....	12
PARTS DIAGRAM.....	13
PARTS INFORMATION.....	14
DISCLAIMER.....	15
CUSTOMER SERVICE.....	15

QUICK START



QUICK START



Checklist and safety icons:

- ✓
- Headphones icon
- Boots icon
- Goggles icon
- Person icon
- Gloves icon

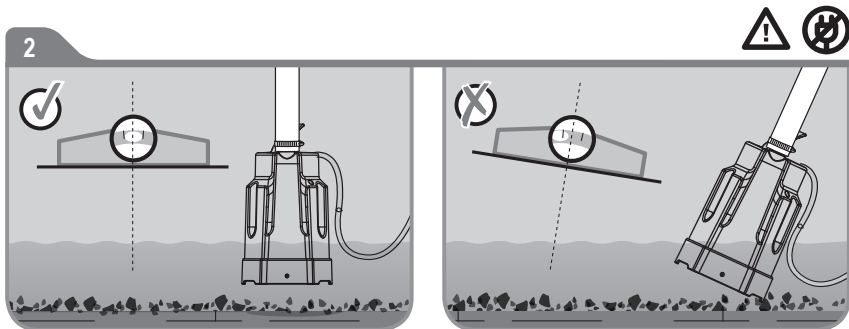
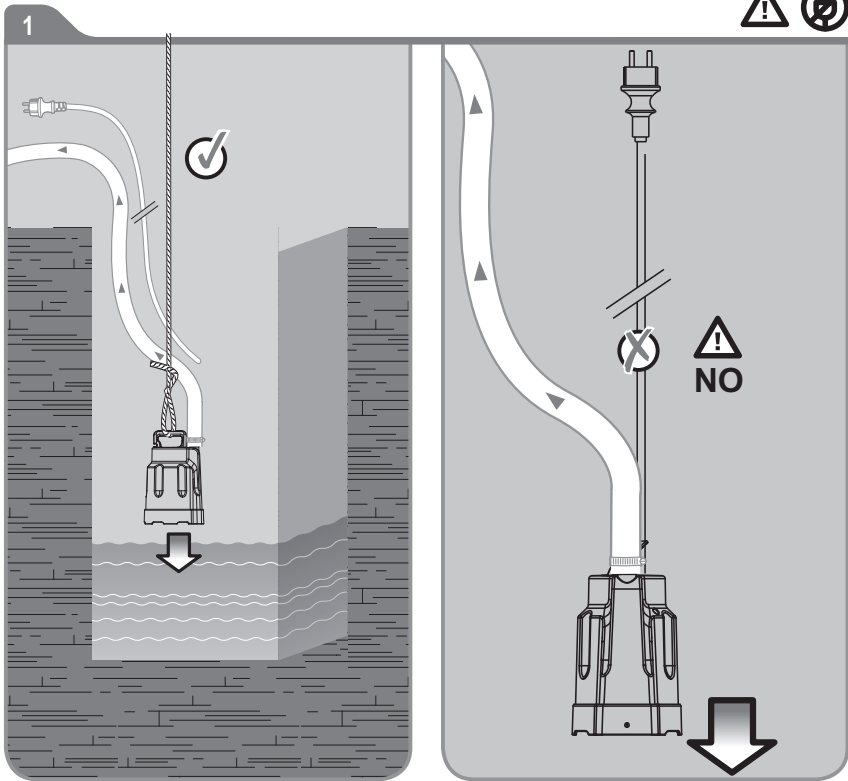
Warning icons:

- Warning triangle with exclamation mark
- Open book icon
- Warning triangle with lightning bolt

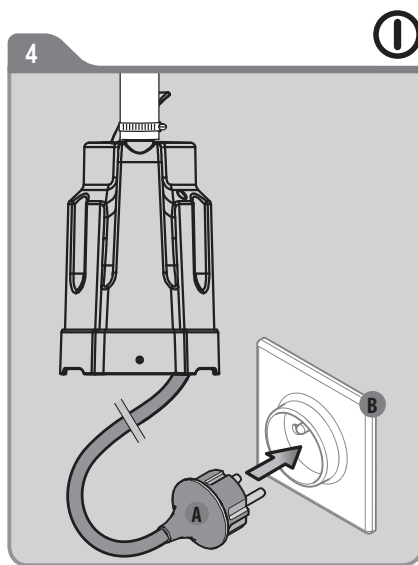
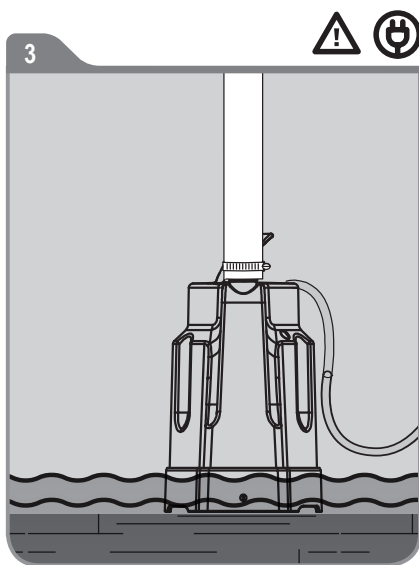
Operational status icons:

- Warning triangle with exclamation mark: Attention danger
- Not connected icon: Not connected
- Power up icon: Power up
- Eye icon: Observez
- Maintenance icon: Maintenance
- Connected icon: Connected
- Stop icon: Stop
- Clean Water Environment icon: Clean Water Environment

QUICK START



QUICK START



INTRODUCTION AND SAFETY

Thank you for purchasing this product. Please read these instructions, and keep them for future reference.

This tool is an electric pump. It is used for pumping water and other similar water applications.

After opening the package, please ensure that the products are complete (if any).

If the products are damaged or there is something missing, please do not use it and bring it back to your dealer.

If you give this tool to another person, please give him this instruction manual.

Safety Instruction

1. All electrical sockets must be earthed.
2. No power cord should be used for transporting or fixing the equipment.
3. Don't pull the power cord on the sharp edge and don't press the power cord.
4. The power supply voltage must be the same as the voltage given on the model board.
5. To avoid hazards, all installation and replacement of components can only be carried out by authorized customer service personnel.
6. Electrical connections can only be performed by electrical professionals, and please comply with state regulations for this.
7. The pump must be connected with a current type leakage current breaker which carry a rated leakage current of no more than 30 MA.
8. Check the connection of the plug before running. If the wire is damaged, it must be replaced by the manufacturer, the agent or the relevant technical personnel to avoid any danger.
9. The device is suitable for children at eight or older. People with sensory or physical disabilities or deficiencies are required to use under supervision or knowledge of safety, use and danger.

INTRODUCTION AND SAFETY

Children are not allowed to wash or maintain equipment without supervision.

10. Liquid contamination may be caused by leakage of lubricating oil.

11. The water pump can be connected with a shock proof plug installed in accordance with the regulations.

12. Do not use pumps when there is someone in the water.

13. When cleaning and maintaining, please disconnect the water pump from the main power supply.

14. Please contact technical staff .

15. Connectors for power plugs and extension cables must be made sure that they are watertight and must not be placed in the water. Furthermore, connectors cannot be placed on the ground. It is recommended to ensure that the outlet is at least 60 mm from the ground.



None follow of the safety tips will have the life risk brought by the current!



Danger type and source:

None follow of the safety tips will have the life risk brought by the current!

Do not repair the power cord if there is any external damage to the power cord or plug.

INTRODUCTION AND COMMISSIONING

Long enough and strong ropes should be attached to the handle before the first use. When the pump is immersed into the liquid, the rope along with a handle can be used to balance the pump.

Installation

The equipment requires an area of at least 60x60cm.

Depth of equipment immersed in technical parameters.

When installing the equipment, make sure the open will not the suction opening will not be blocked by foreign objects to keep the equipment stable.

Attention:

For rope handling: Do not operate the pump without the pressure hose to prevent the pump from twisting around its longitudinal axis. In continuous use of a pump with a rope, the condition of the rope must be checked periodically, as it may break with increasing use time.



OPERATION

Connecting pressure pipe

- screw the pressure pipe onto the pressure connector. All joint connections must be sealed with a threaded sealing stripe.

-When using the hose, screw the right hose adapter into the pressure connector.

-Secure the hose firmly to the hose adapter and secure it with a hose clamp.

If it is used occasionally, please use a suitable pipe. A rigid pipe with a check valve is recommended for use in a fixed position.

This can be done at the close of the machine to prevent liquid backflow.

Use a strong rope to connect the handle of the pump and dip it into the liquid to be conveyed at a certain angle, so that the lower side of the device has no bubble formation to prevent the bubbles from being sucked in. Put the equipment down slowly, and once the pump is submerged, it can be adjusted again. The pump is arranged at the bottom of a liquid container, Fasten the end of the rope after lowering so that the pump can also be handled when hanging on the rope. The pump can work after the device is connected to the main power source.



The pump is not allowed to transport corrosive substances, flammable and explosive substances (such as gasoline, petroleum, nitro diluent), grease, oil, brine and toilet equipment sewage, as well as low mobility mud sewage. The temperature of the liquid cannot exceed 95 °F.

TROUBLE SHOOTING

In most cases, you will be able to troubleshoot problems easily by yourself. Before you contact us, please refer to the following table for technical support. This will help you save a lot of work and possible expenses.

Error	Reasons	Errors shooting
The pump cannot start	1.Unconnected power.	1.Check power supply.
No water	1.Inlet obstruction. 2.The pressure hose is bent .	1.Clean the inlet . 2.Adjusting hose .
Too small flow rate	1.Inlet obstruction. 2.Debris and particles cause the wear of a critical part of the pump which reduces the flow of the pump.	1.Clean the inlet. 2.Clean the pump and replace worn parts.
Close the pump after a short period of time	1.If the water is too dirty, the pump may stall, and the heat protector will cut off the water pump motor power supply . 2.If the water temperature is too high, the heat protector will cut off the water pump motor power supply .	1.Disconnect the main power supply and clean the water pump . 2.Ensure that the maximum water temperature is not exceeded 95 °F .

MAINTENANCE

Clean the equipment from the outside.

Flush with clean water. Use brush and detergent to remove stubborn pollution. Immerse the pump into a container with clean water, open it for running a while, and flush it in the pump.

Attention:



Before using the pump again, first "clean" to prevent any possible dirt residue which could affect the equipment operation.

Storage

If there is a risk of frost, remove equipment and accessories, and clean and store it a place protected from frost.

Using scope

The pump is mainly used in a basement. When installed at the bottom of the shaft, the pump prevents seepers in the basement. It can also be used for water supply and drainage, such as household, agriculture, gardening, pipelines and other suitable occasions.



Risk for equipment damage!

Frost will destroy electrical appliances and accessories, because they always contain water.

Process equipment

Products marked with adjacent symbols shall not be treated as domestic rubbish. You must deal with these old electrical and electronic equipment separately.

Please contact local authorities to see if they can be handled properly. Make the old equipment available for recycling, processing, or other forms of second use by separate handling. You can avoid polluting the environment by doing so.

Disposal packaging

The packing is made of cardboard and corresponding marking plastic. These materials can be recycled.

SPECIFICATION

Model	76047
Nominal Voltage	115 V / 60 Hz
Horsepower	1/3 HP
Protection Type	IPX 8
Max. Head	30 FT
Max. Flow Rate	1690 GPH
Max. Suction Lift	23 FT
Dia. Of Pipe	3/4 INCH
Outlet	G3/4 INCH
Connector	G3/4 INCH Outer + G3/4 INCH Inner

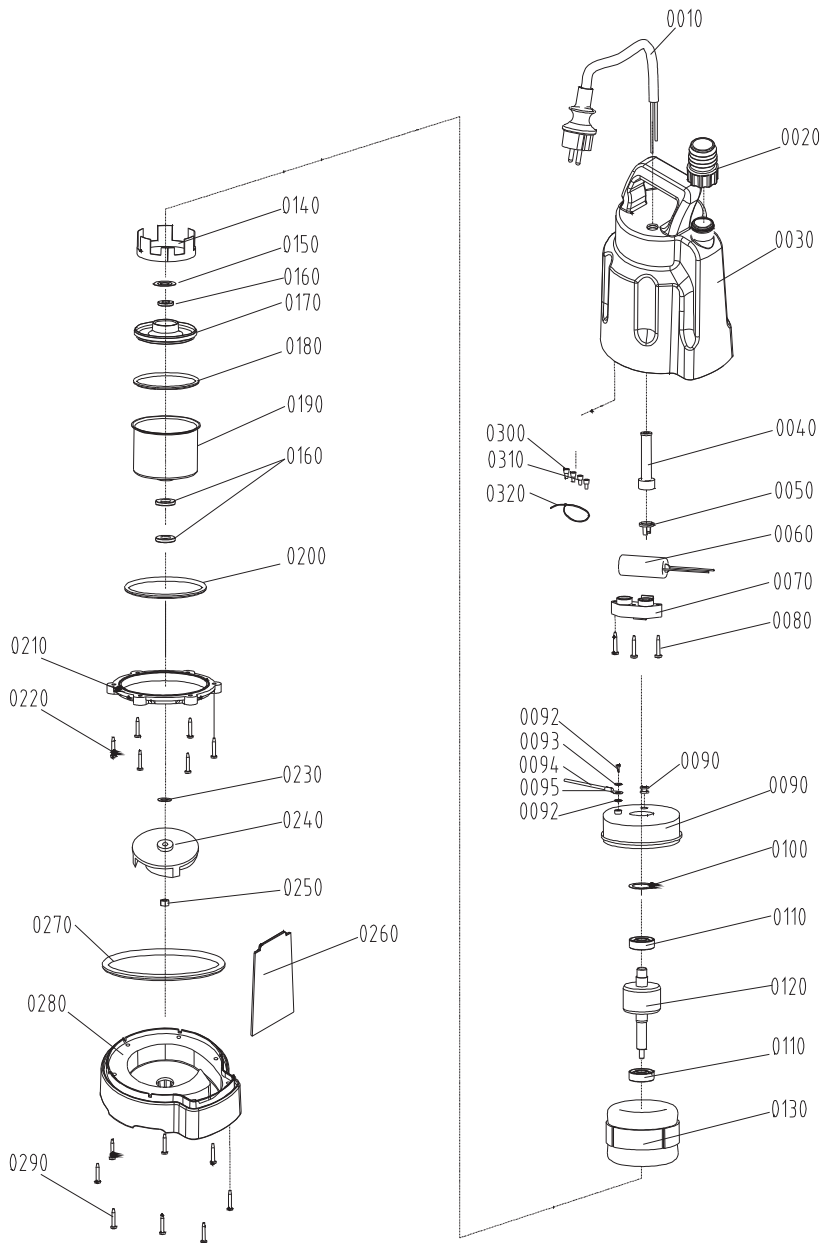


Attention!

Risk for equipment damage!

The particle size mentioned cannot be used for simple gravel or stone, but suitable for soft, variability of particles or similar things which cannot put into the water pump.

PARTS DIAGRAM



PARTS INFORMATION

Item	Parts No.	Description	Qty.	
0010	253001522	Power cord	1	PCS
0020	201003573	Output connector	1	PCS
0030	201006697	Main housing component	1	PCS
0040	208001014	Cable sheath	1	PCS
0050	201004095	Cable retainer	1	PCS
0060	209000648	Capacitor	1	PCS
0070	201001452	Cable briquetting	1	PCS
0080	206000151	Customization tapping screw	3	PCS
0090	202000196	Aluminum rear cover component	1	PCS
0092	207000236	Screw component	1	PCS
0093	207000503	External serrated lock washer	1	PCS
0094	310000006	Conducting wire	0.82	FT
0095	204000185	Amphenol connector	1	PCS
0100	204000090	Corrugated gasket	1	PCS
0110	207000540	Bearing	2	PCS
0120	252000301	Rotor	1	PCS
0130	251000606	Stator	1	PCS
0140	203000263	Front bushing	1	PCS
0150	204000100	Gasket	1	PCS
0160	208001044	Skeleton seal ring	3	PCS
0170	202000187	Aluminum front bushing	1	PCS
0180	208000317	O-ring	1	PCS
0190	203000135	Front cover	1	PCS
0200	208001015	O-ring	1	PCS
0210	201000586	Clamping ring	1	PCS
0220	207000053	Cross head tapping screw	6	PCS
0230	204000094	Adjusting gasket	2	PCS
0240	201003767	Impeller	1	PCS
0250	207000332	Nut	1	PCS
0260	201000616	Baffle plate	1	PCS
0270	208000297	O-ring	1	PCS
0280	201000418	Pump base	1	PCS
0290	207000065	Cross head tapping screw	7	PCS
0300	206000173	Custom tapping screws	1	PCS
0310	208000324	O-ring	1	PCS
0320	209000100	Nylon secure line pressing cap	1	PCS
0330	209000101	Nylon secure line pressing cap	3	PCS
0340	201001722	Tie	1	PCS
0350	212000024	White vaseline	0.34	FL OZ
0360	212000033	White grease	0.09	FL OZ
0370	215000003	Grounding marker	1	PCS

DISCLAIMER

DISCLAIMER

PLEASE READ THE FOLLOWING CAREFULLY

The manufacturer and/or distributor have provided the parts list and assembly diagram in this manual for reference purposes only. They do not make any representation or warranty to the buyer that they are qualified to make repairs to the product or replace any parts of the product. In fact, the manufacturer and/or distributor expressly state that all repairs and parts replacements should be undertaken by certified and licensed technicians, and not by the buyer.

The buyer assumes all risk and liability arising from their repairs to the original product or replacement parts or arising from their installation of replacement parts. It is strongly advised that qualified professionals handle any repairs or replacements to ensure safety and proper functioning of the product. Improper installation and operation may result in injury, property damage, or voiding of warranty. The manufacturer and/or distributor shall not be held responsible for any accidents, damages, or malfunctions resulting from the buyer's installation and operation of the product. It is essential to follow all safety guidelines and recommendations provided in this manual and to seek professional assistance if unsure about the installation or operation procedures.

CUSTOMER SERVICE

If you have any questions about ordering our outdoor furnitures and replacement parts or other furniture products, please feel free to contact us using the following contact information:

Customer Service and Technical Support

Phone: (909) 628-0880

Email: customer@xtremepowerusa.com

Hours of Operation: Monday – Friday, 9AM – 4PM (CST)
