



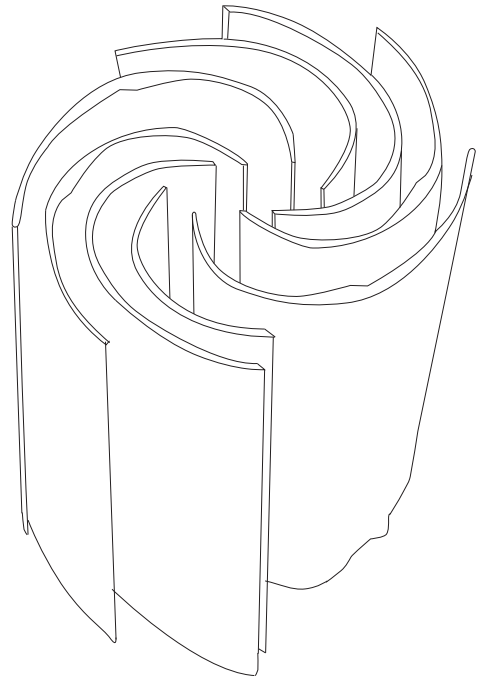
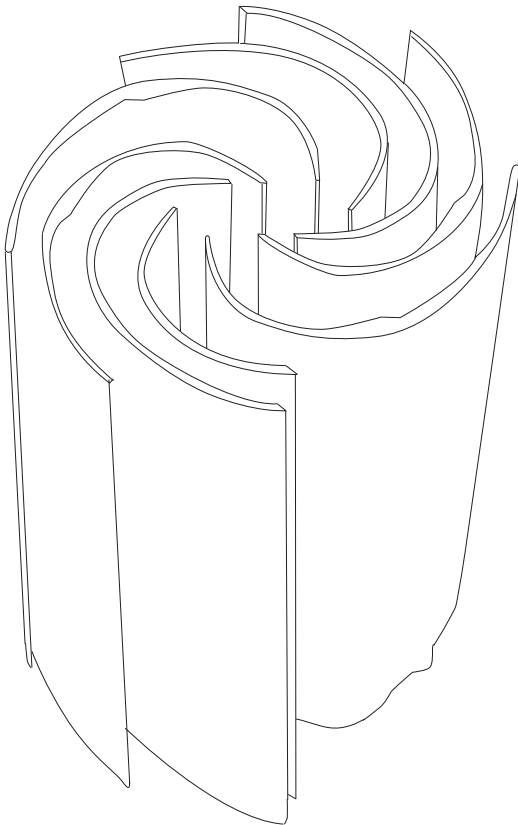
DE FILTER REPLACEMENT GRID SET

SKU: 75207

FITS 60 FT DE FILTER

SKU: 75208

FITS 48 FT DE FILTER



ASSEMBLY AND USER'S GUIDE

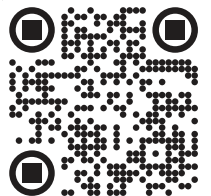
⚠ DANGER

Read all safety warnings and instructions. Failure to follow the warnings and instructions may result in serious injury. Save all warnings and instructions for future reference.

75207



75208



THIS PAGE INTENTIONALLY LEFT BLANK

TABLE OF CONTENTS

TABLE OF CONTENTS	1
IMPORTANT SAFETY INSTRUCTIONS	2
<i>Legends and Symbols</i>	2
PRODUCT INFORMATION	3
PACKAGING CONTENTS.....	3
INTRODUCTION.....	4
ASSEMBLY	5
ASSEMBLY INSTRUCTIONS.....	5
Step 1: Verify Grid Size.....	5
Step 2: Backwash Filter.....	5
Step 3: Open Air Relief Valve.....	6
Step 4: Drain Tank.....	6
Step 5: Power Shutdown.....	7
Step 6: Detach Clamp Assembly.....	7
Step 7: Lift Tank Lid.....	8
Step 8: Extract Grid Assembly.....	9
Step 9: Disassemble Grid Assembly.....	10
Step 10: Inspect and Select Grids.....	11
Step 11: Clean Tank.....	11
Step 12: Assemble New Grids.....	12
Step 13: Install Grid Retainer.....	13
Step 14: Insert Tie Rod.....	13
Step 15: Position Grid Assembly Upright.....	14
Step 16: Fasten Tie Rod.....	14
Step 17: Position New Grid Assembly.....	15
Step 18: Place Tank Lid.....	15
Step 19: Attach Clamp Assembly.....	16
Step 20: Attach Drain Plug.....	17
Step 21: Leak Testing.....	17
DISCLAIMER	18
<i>Disclaimer</i>	18
<i>Customer Service</i>	18

CUSTOMER SERVICE

If you have any questions about ordering our pool pumps and replacement parts or pool products, please feel free to contact us using the following contact information:

Customer Service and Technical Support

Phone: (909) 628-0880

Email: customer@xtremepowerusa.com

Hours of Operation: Monday – Friday, 9AM – 4PM (CST)

IMPORTANT SAFETY INSTRUCTIONS

IMPORTANT SAFETY INSTRUCTIONS


This guide provides instructions for installing and using the DE FILTER REPLACEMENT GRID SET. If you have any questions about the equipment, please contact XtremepowerUS.


This guide contains important information about safely installing and operating this product. After installation, make sure to share this information with the owner/operator or leave it with them for their reference.


Legends and Symbols

When you come across the safety-alert symbol on your equipment or in this manual, pay attention to the following signal words and remain vigilant about the potential for personal injury.

 **DANGER:** Ignoring these hazards can result in death, severe personal injury, or significant property damage.


 **WARNING:** Indicates potential hazards that can result in severe personal injury, death, or significant property damage. Ignoring these warnings presents a real danger.


 **CAUTION:** Indicates potential hazards that can result in minor or moderate personal injury, property damage, or actions that are unpredictable and unsafe. Ignoring these cautions presents a potential hazard.

 **NOTE:** This label indicates important special instructions that are not directly related to hazards.

USE OF NON-XTREMEPOWERUS REPLACEMENT PARTS VOIDS WARRANTY

ATTENTION INSTALLER: This manual contains vital information regarding the installation, operation, and safe use of this product. It is essential to provide this manual to the end user of the product. Failure to read and follow all instructions could lead to severe injuries.

 **DANGER** Failure to comply with all instructions and warnings may lead to severe bodily injury or even death. For optimal safety and functionality, it is advisable to have the product installed and serviced by a certified service professional. Prior to using this product, installers, operators, and owners must carefully review these warnings and all instructions provided in the owner's manual. It is essential to leave these warnings and the owner's manual with the owner for their reference and safety.

 **WARNING** For safety reasons, children should not be allowed to use this product. Packing materials and plastic bags are not toys. Keep them away from children to prevent the risk of suffocation.

PRODUCT INFORMATION

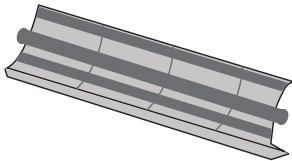
PRODUCT INFORMATION

PACKAGING CONTENTS

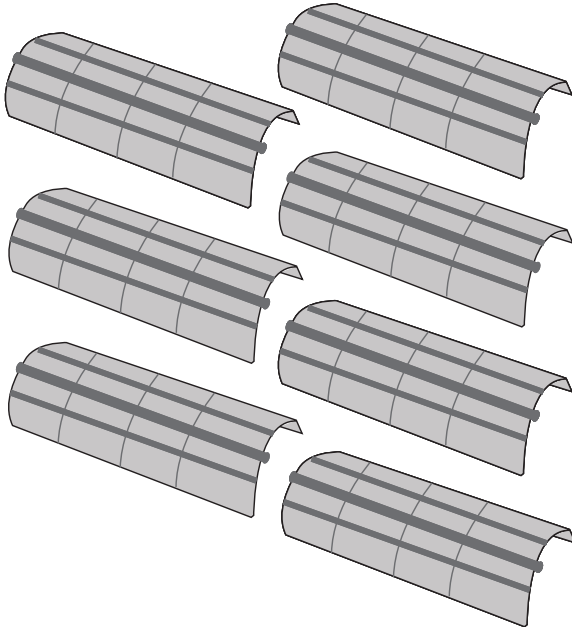


INSTRUCTION MANUAL
1 PC(S)

SKU 75207 / SKU 75208



PARTS # 1
SMALL REPLACEMENT GRID
1 PC(S)



PARTS # 2
LARGE REPLACEMENT GRID
7 PC(S)

PRODUCT INFORMATION

INTRODUCTION

XtremepowerUS D.E. Filter Replacement Grid Set – The optimal choice for maintaining crystal-clear pool water. This replacement grid set is engineered to provide superior filtration, ensuring that every swim is in clean and pure water.

Crafted with high-quality materials, this replacement grid is designed for seamless integration with D.E. filter systems, making installation straightforward and hassle-free. Its robust construction reduces the need for frequent replacements while improving filtration performance.

The unique design of the D.E. Filter Replacement Grid maximizes the filtration area, allowing for the most efficient capture of dirt and debris. This results in less maintenance and more time for enjoyment. It's not just a replacement; it's an upgrade to pool cleanliness and peace of mind.

With the XtremepowerUS D.E. Filter Replacement Grid, expect:

- Enhanced filtration for water that sparkles with cleanliness.
- Easy installation with a perfect fit for D.E. filter systems.
- Durable construction that withstands regular use.
- Cost-effective maintenance due to long-lasting materials.

ASSEMBLY

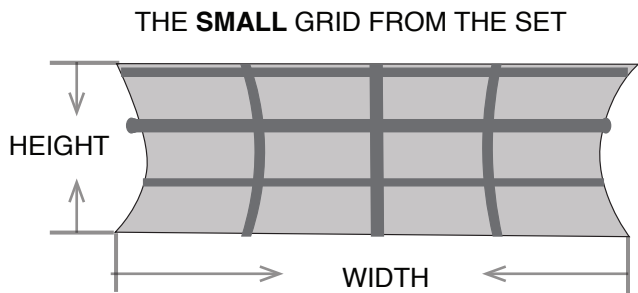
ASSEMBLY

ASSEMBLY INSTRUCTIONS

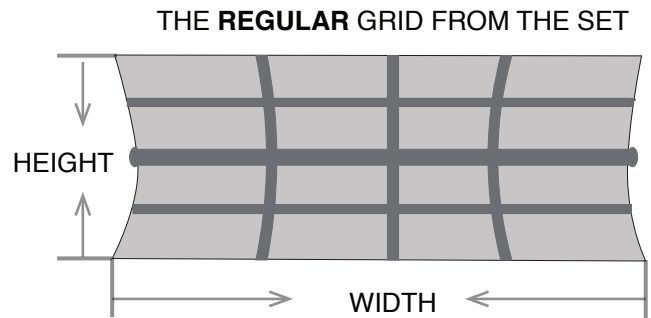
Step 1: Verify Grid Size

Verify that the replacement grids' size matches the original ones from the filter.

PARTS # 1

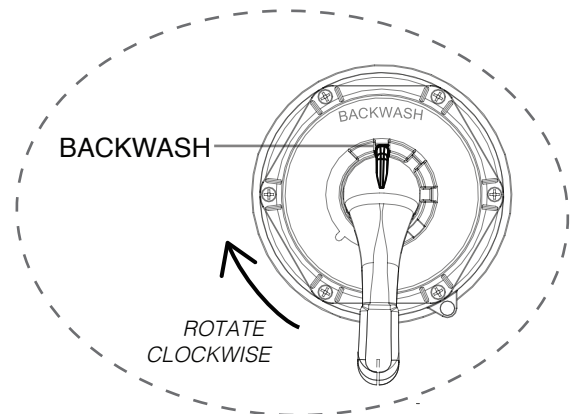
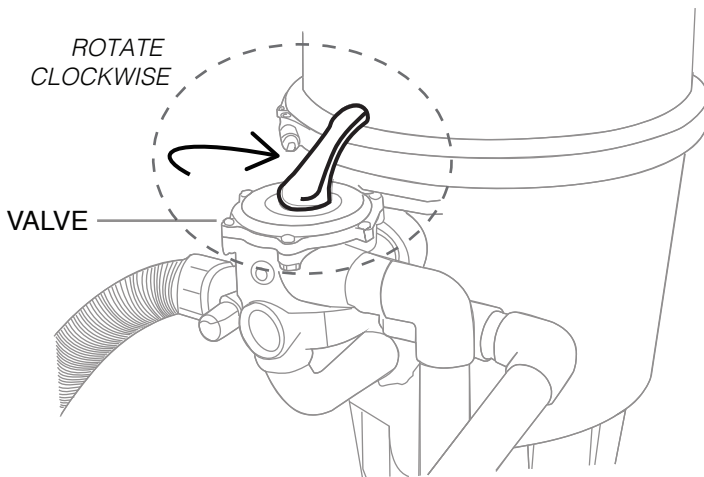


PARTS # 2



Step 2: Backwash Filter

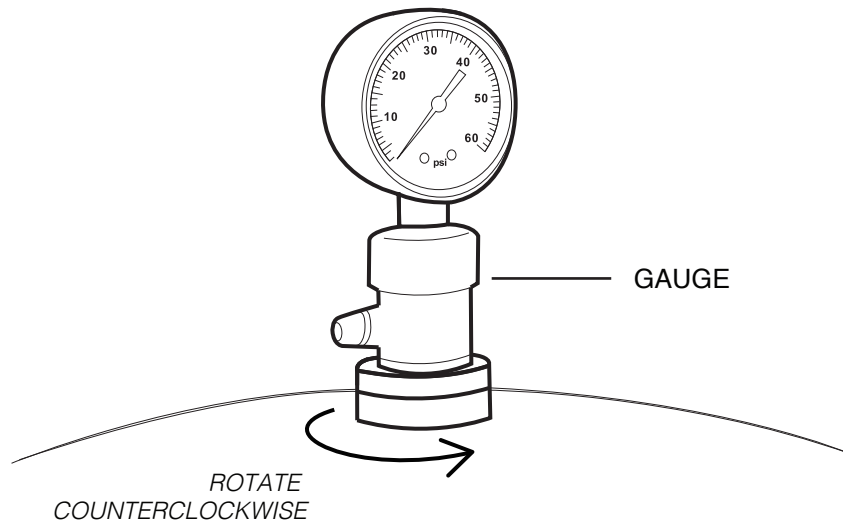
Perform a backwash to remove old D.E. and debris, facilitating a cleaner grid change.



ASSEMBLY

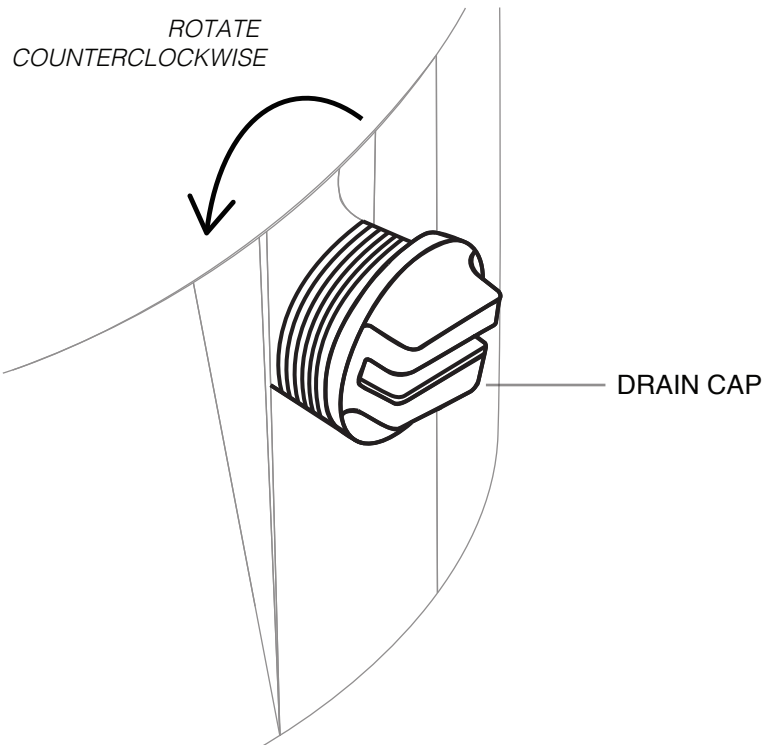
Step 3: Open Air Relief Valve

Flush out water from filter's tank and plumbing by opening the filter's pressure gauge or valve.



Step 4: Drain Tank

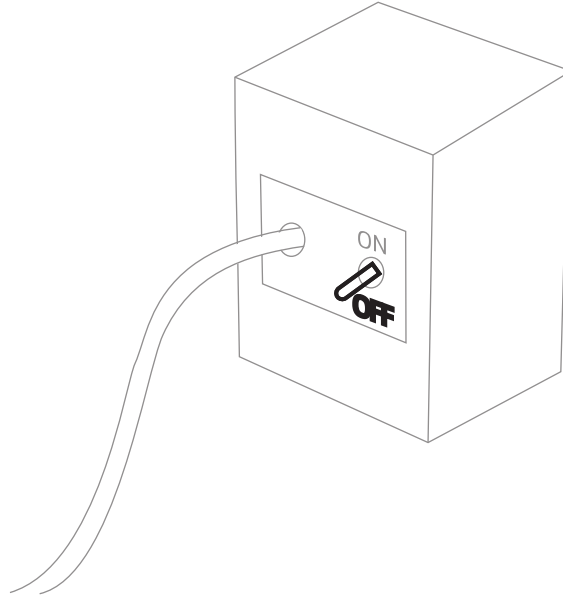
Remove the filter's drain cap for water evacuation.



ASSEMBLY

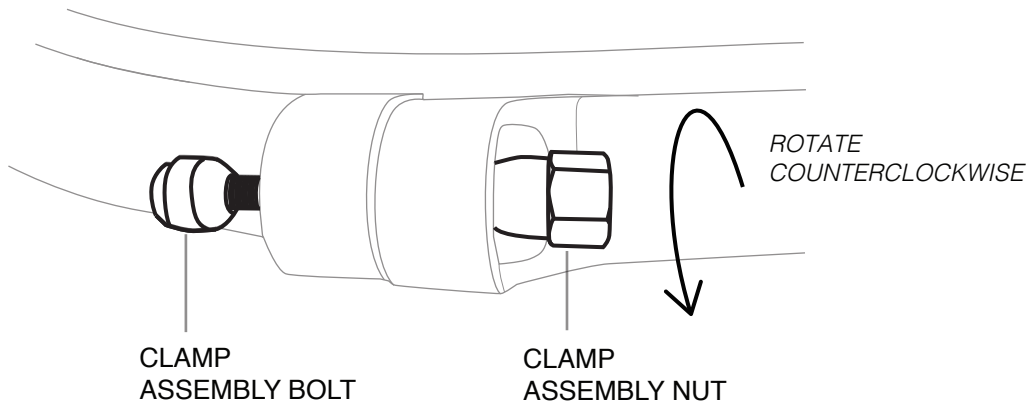
Step 5: Power Shutdown

Ensure all equipments' power is disconnected at the breaker.



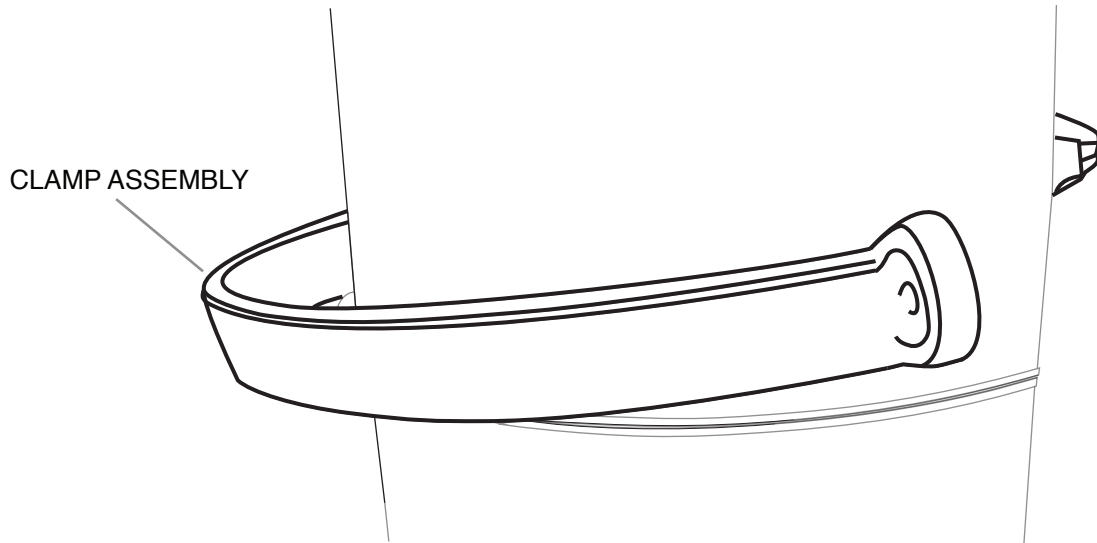
Step 6: Detach Clamp Assembly

Remove the bolt and nut from the filter's clamp assembly, then remove the whole clamp.



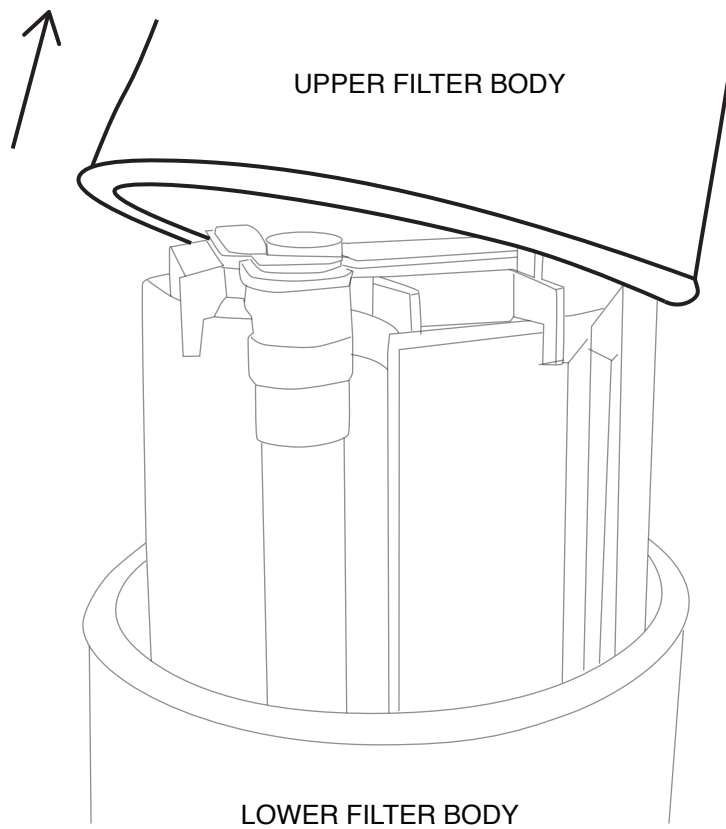
ASSEMBLY

Step 6: Continue to Detach Clamp Assembly



Step 7: Lift Tank Lid

Remove the upper filter body and set it aside for reinstallation later.

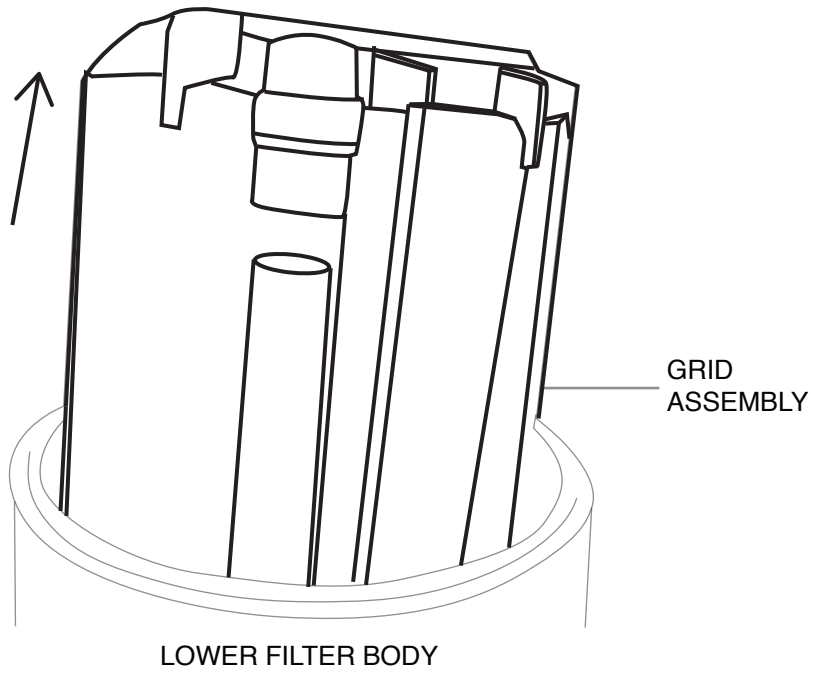


ASSEMBLY

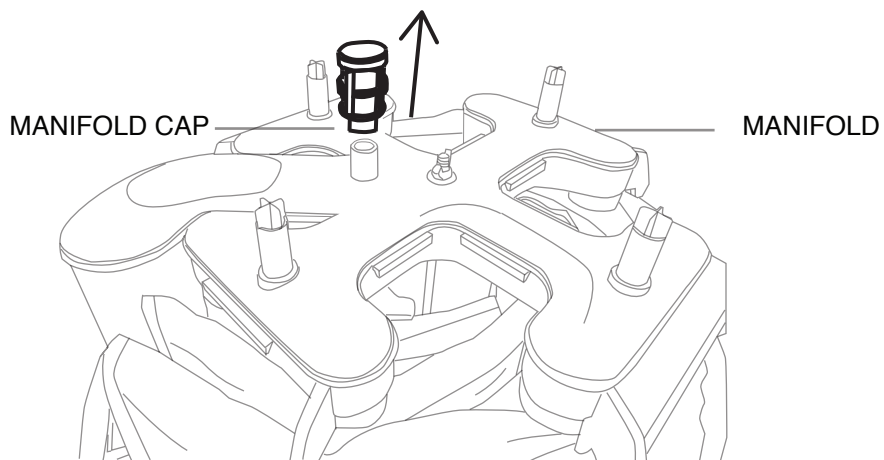
Step 8: Extract Grid Assembly

Lift the grid assembly from filter's tank. Detach the manifold cap from the top of manifold.

TOP GRID RETAINER SIDE



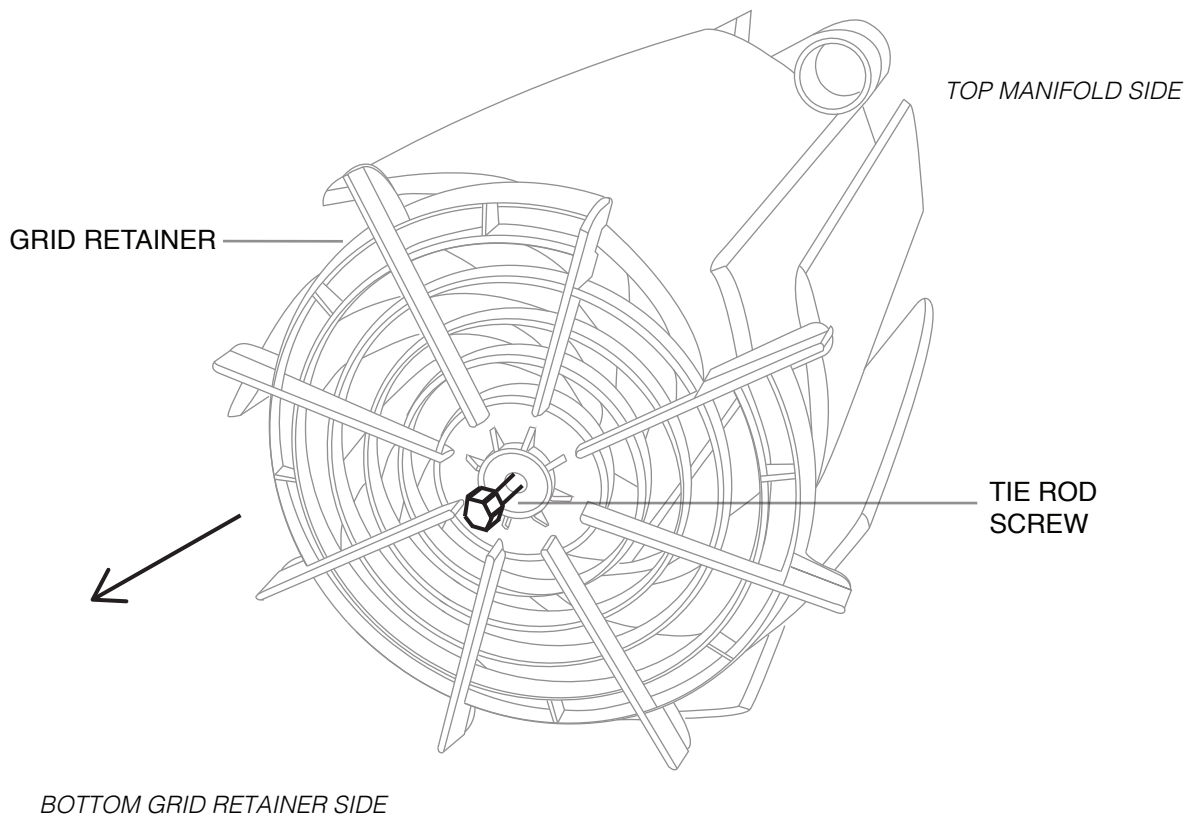
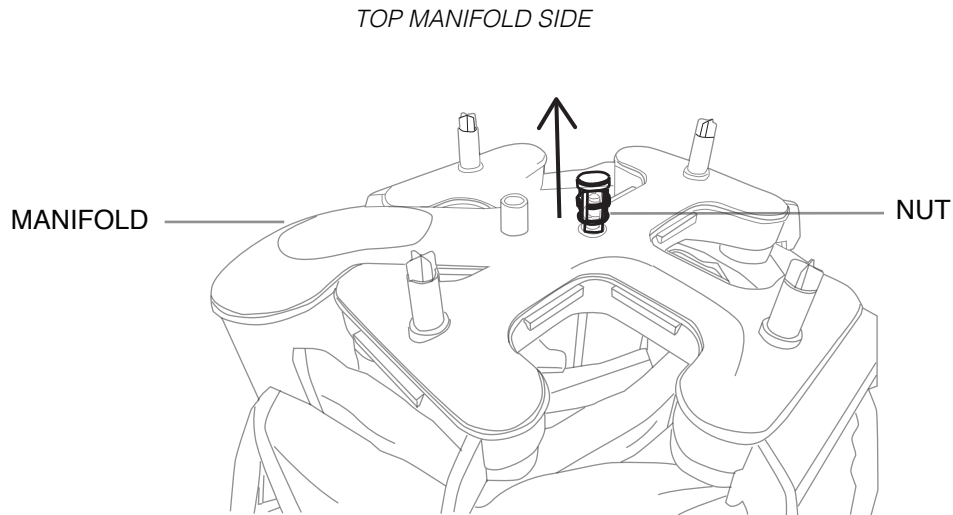
TOP MANIFOLD SIDE



ASSEMBLY

Step 9: Disassemble Grid Assembly

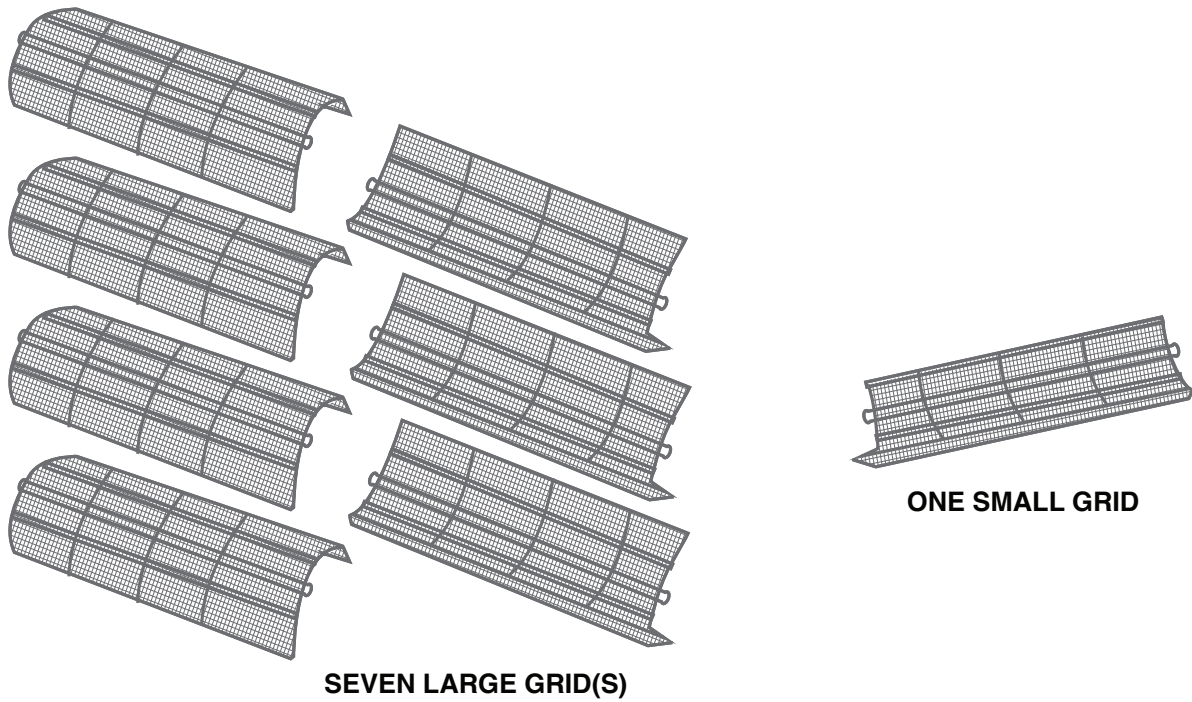
Detach the manifold from the tie rod by unscrewing the securing nut, preparing for individual grid inspection or replacement.



ASSEMBLY

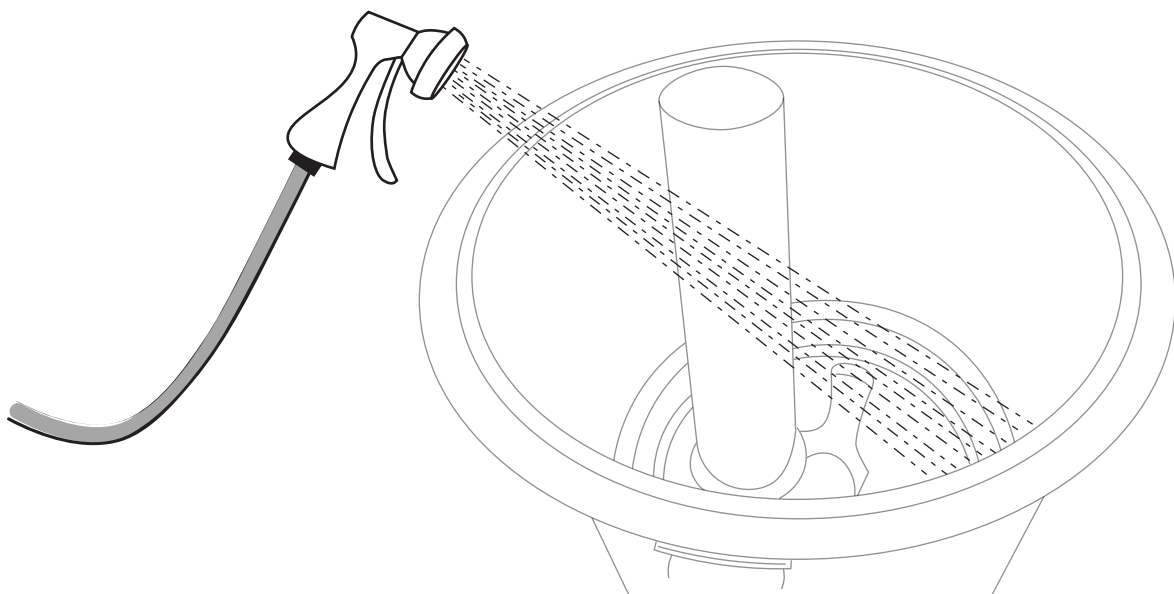
Step 10: Inspect and Select Grids

Evaluate grids for damage, removing only those necessary or replace the entire set as needed.



Step 11: Clean Tank

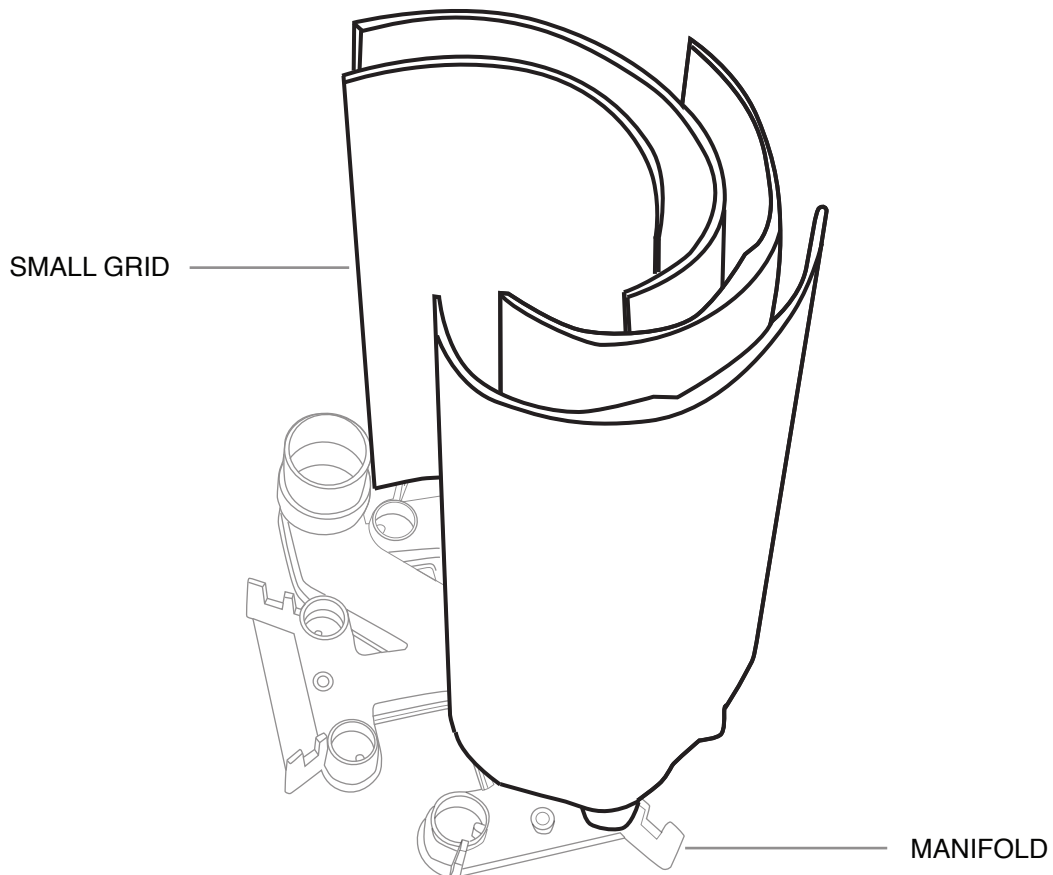
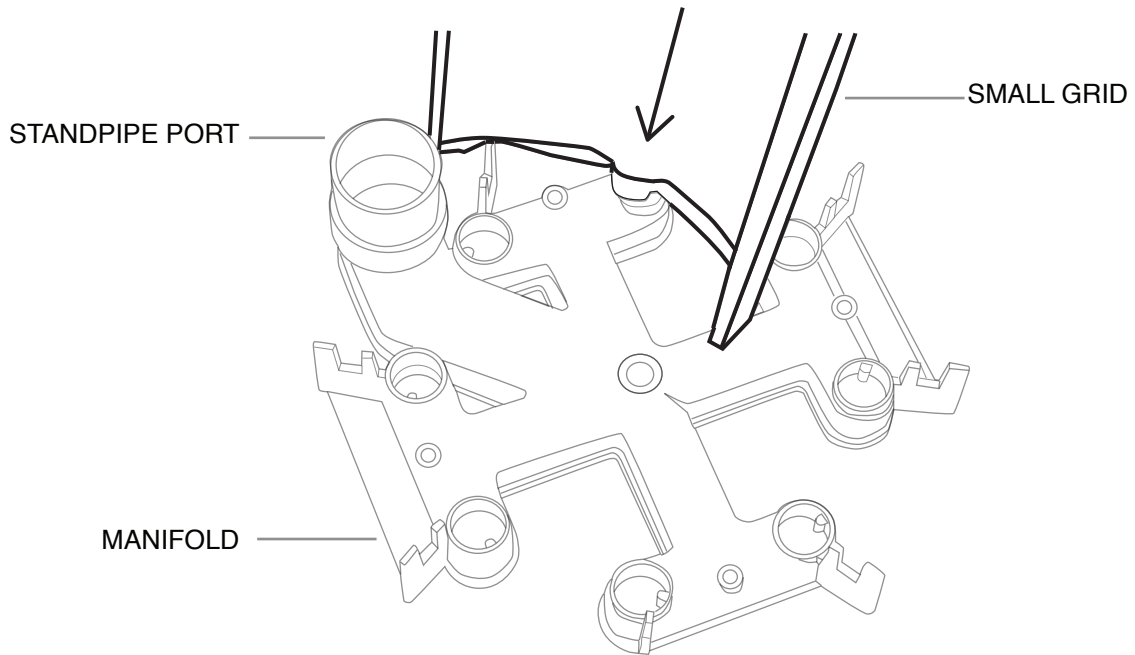
Wash out any residual D.E. powder or debris, ensuring the lower filter body and gasket grooves are clean.



ASSEMBLY

Step 12: Assemble New Grids

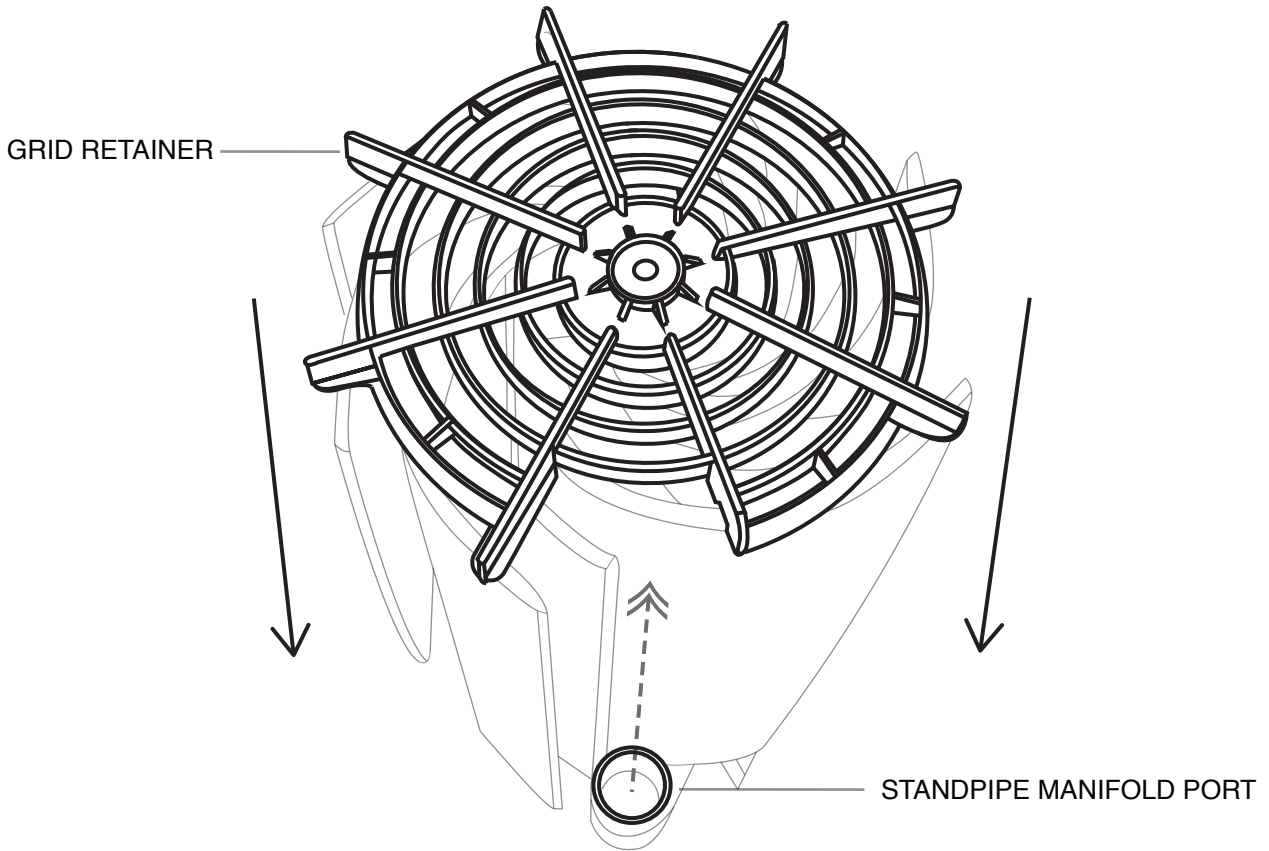
Place the manifold on a stable surface, then sequentially install grids into the manifold, starting with the smaller grid at the standpipe port.



ASSEMBLY

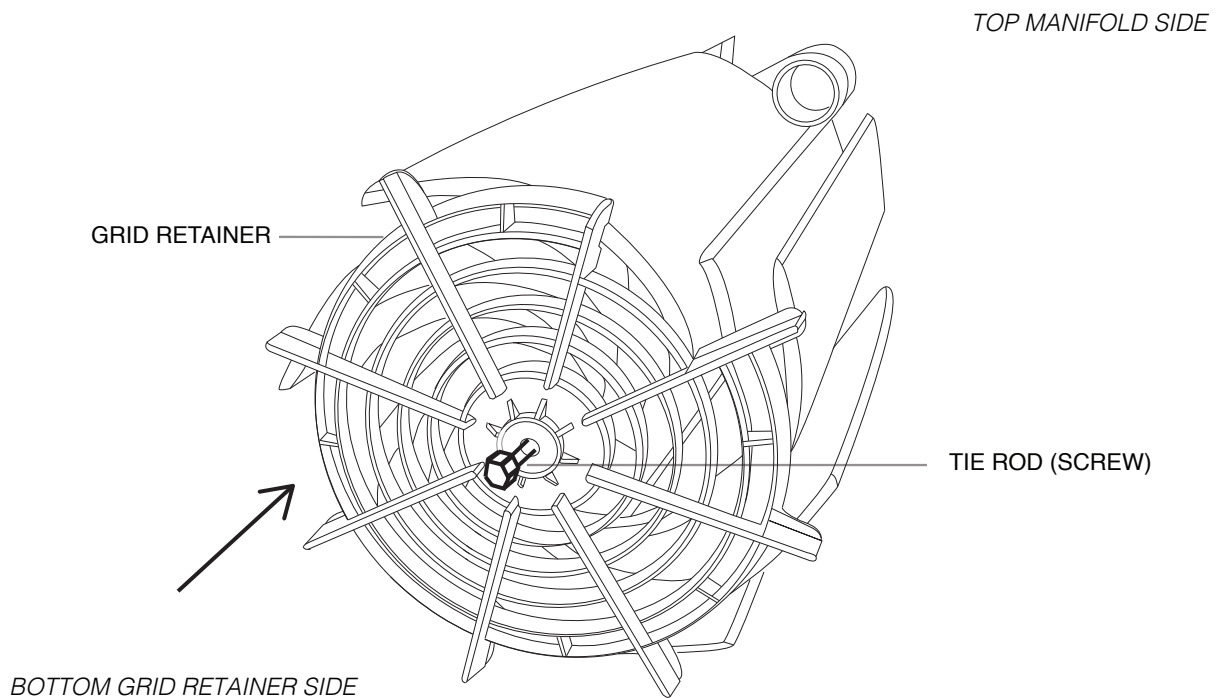
Step 13: Install Grid Retainer

Align the grid retainer and top standpipe manifold port, ensuring correct grid placement.



Step 14: Insert Tie Rod

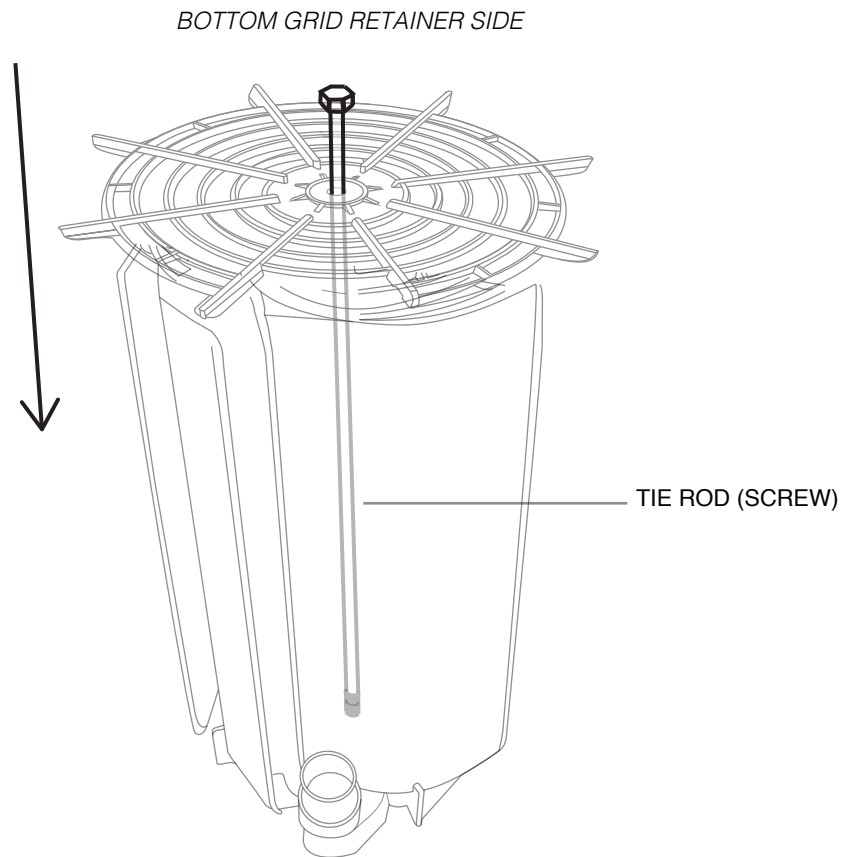
Insert the tie rod through the retainer and manifold.



ASSEMBLY

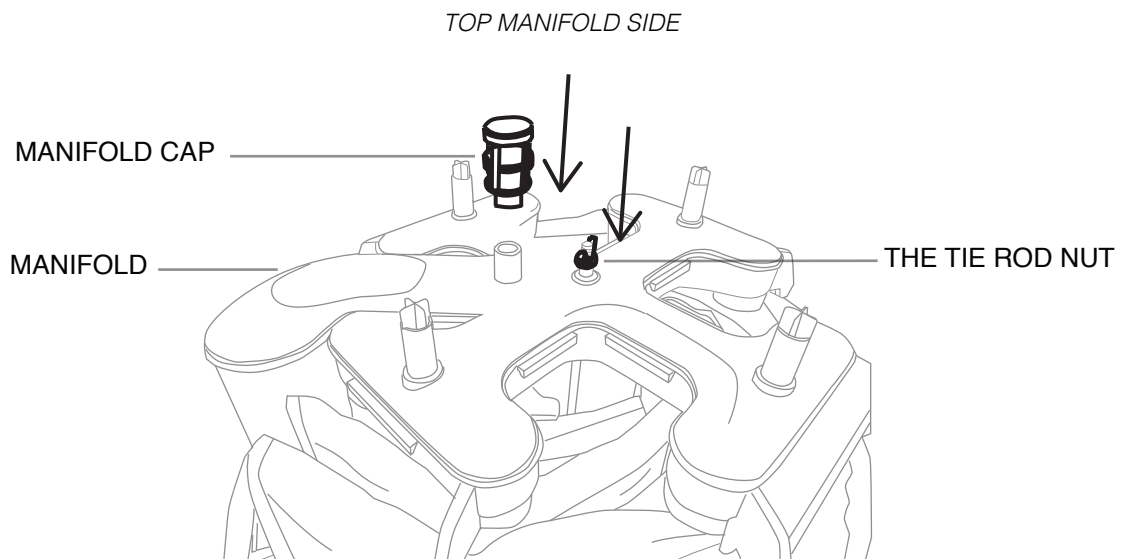
Step 15: Position Grid Assembly Upright

Flip the grid assembly to an upright position, ensuring both the retainer and manifold are held securely.



Step 16: Fasten Tie Rod

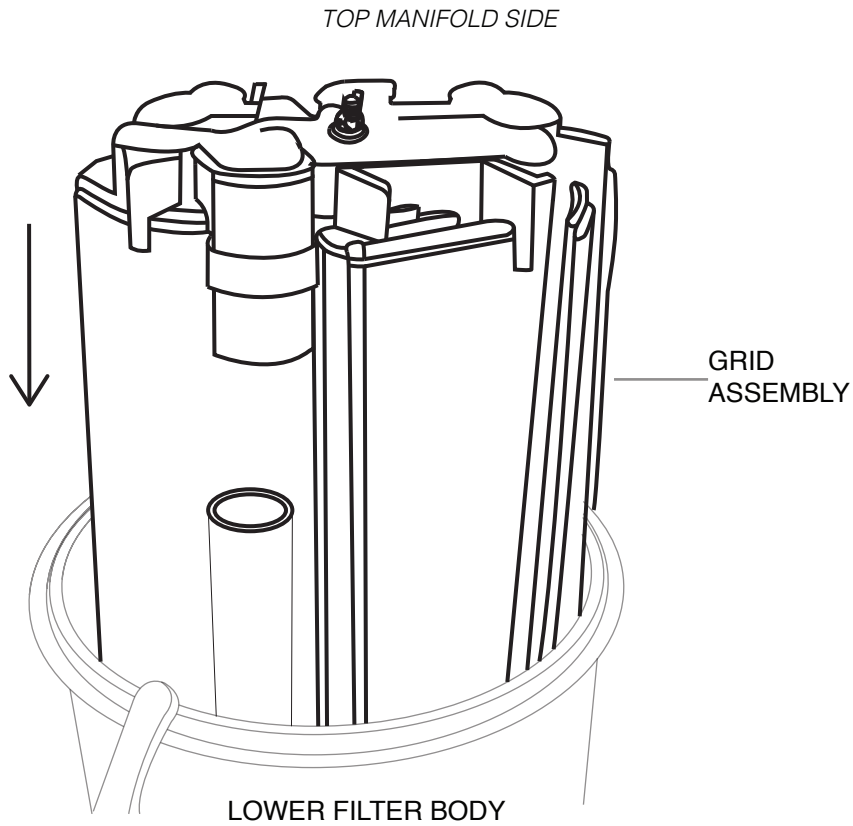
Attach the tie rod nut to secure the manifold at the assembly's top. Attach the manifold cap to the top of manifold.



ASSEMBLY

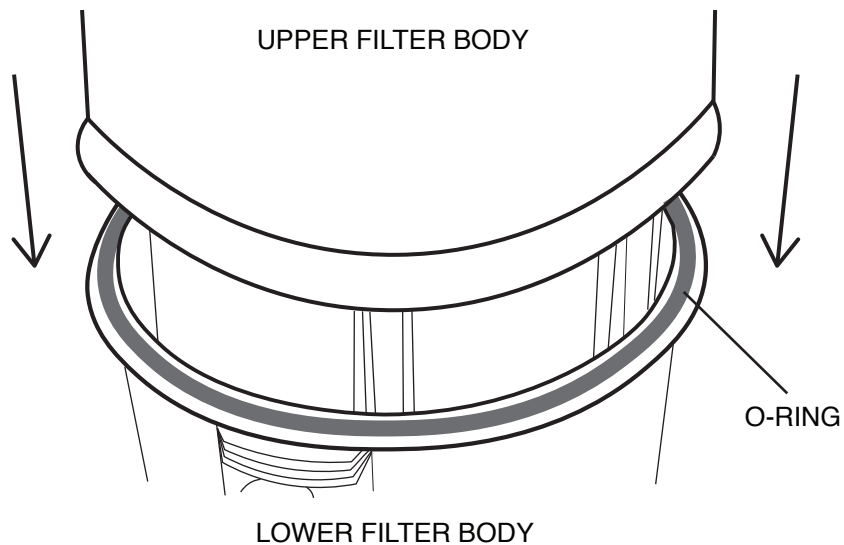
Step 17: Position New Grid Assembly

Align and install the grid assembly within the lower filter body, ensuring proper standpipe alignment, then reassemble the manifold cap onto the top of manifold.



Step 18: Place Tank Lid

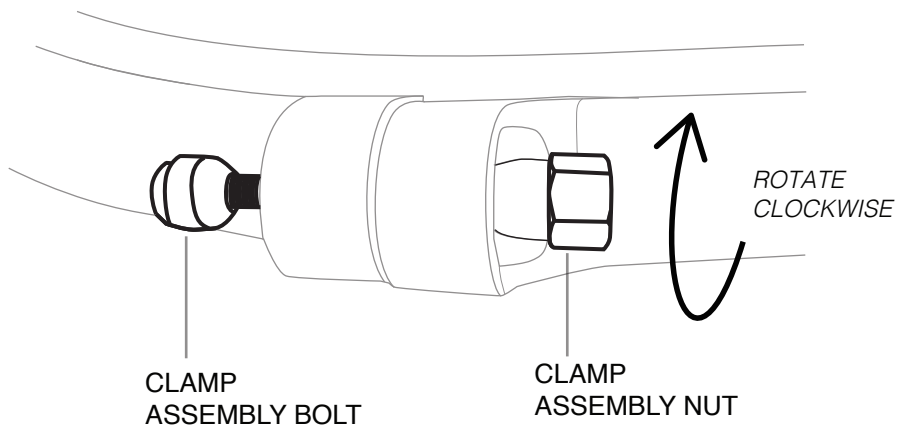
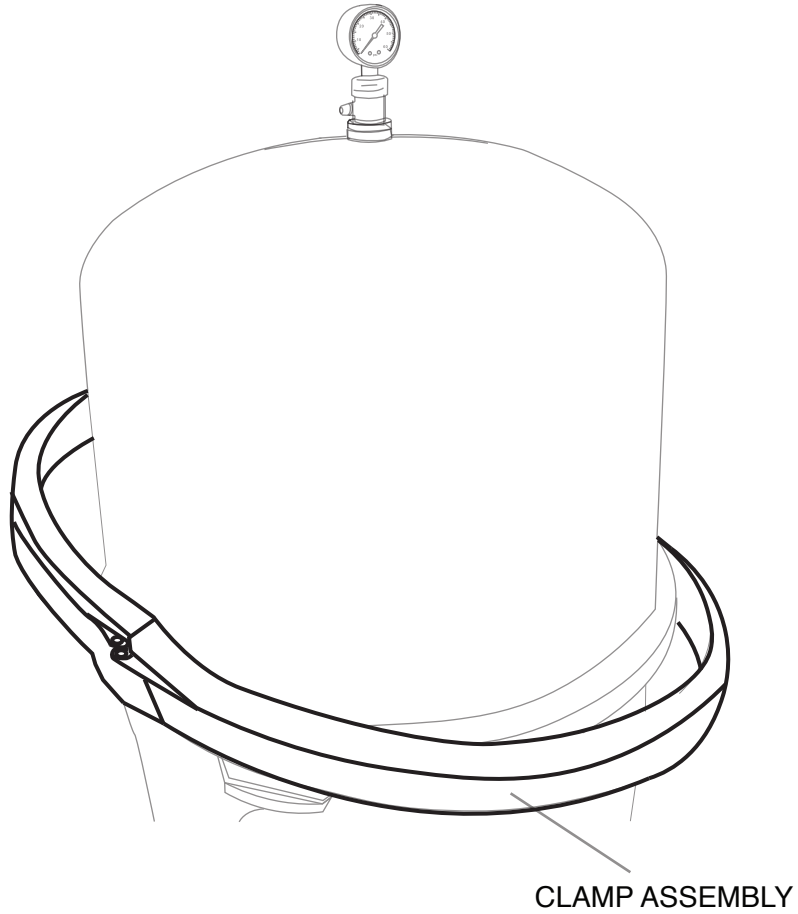
Reattach the upper filter body, maintaining the o-ring in its designated groove.



ASSEMBLY

Step 19: Attach Clamp Assembly

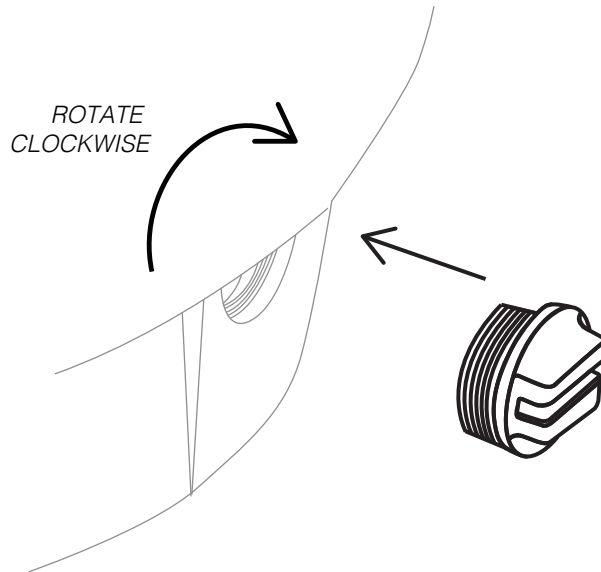
Evenly position the clamp assembly, and securely fasten the bolt and nut.



ASSEMBLY

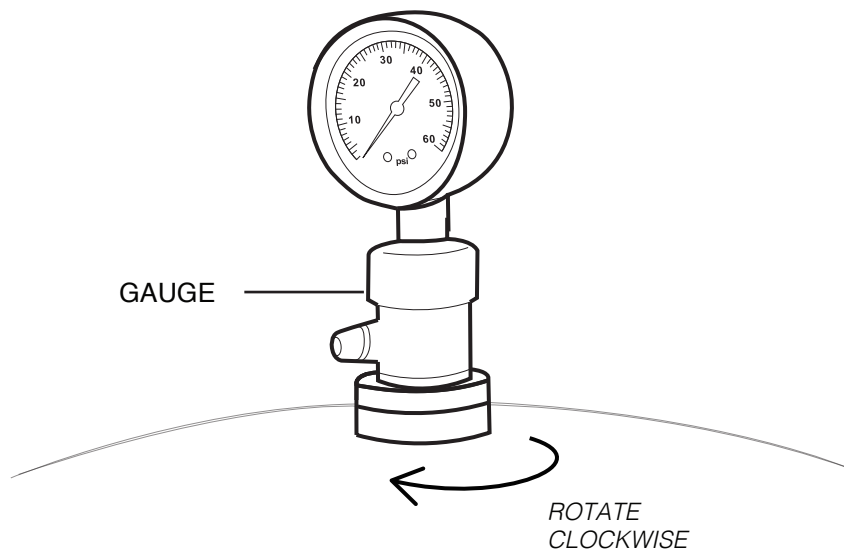
Step 20: Attach Drain Plug

Secure the filter's drain plug.



Step 21: Leak Testing

Fasten and secure the filter's pressure gauge or valve. Activate the pump for priming, checking for leaks and ensuring proper seal alignment if leaks are present.



DISCLAIMER

DISCLAIMER

PLEASE READ THE FOLLOWING CAREFULLY

The manufacturer and/or distributor have provided the parts list and assembly diagram in this manual for reference purposes only. They do not make any representation or warranty to the buyer that they are qualified to make repairs to the product or replace any parts of the product. In fact, the manufacturer and/or distributor expressly state that all repairs and parts replacements should be undertaken by certified and licensed technicians, and not by the buyer.

The buyer assumes all risk and liability arising from their repairs to the original product or replacement parts or arising from their installation of replacement parts. It is strongly advised that qualified professionals handle any repairs or replacements to ensure safety and proper functioning of the product. Improper installation and operation may result in injury, property damage, or voiding of warranty. The manufacturer and/or distributor shall not be held responsible for any accidents, damages, or malfunctions resulting from the buyer's installation and operation of the product. It is essential to follow all safety guidelines and recommendations provided in this manual and to seek professional assistance if unsure about the installation or operation procedures.

CUSTOMER SERVICE

If you have any questions about ordering our pool pumps and replacement parts or pool products, please feel free to contact us using the following contact information:

Customer Service and Technical Support

Phone: (909) 628-0880

Email: customer@xtremepowerusa.com

Hours of Operation: Monday – Friday, 9AM – 4PM (CST)
