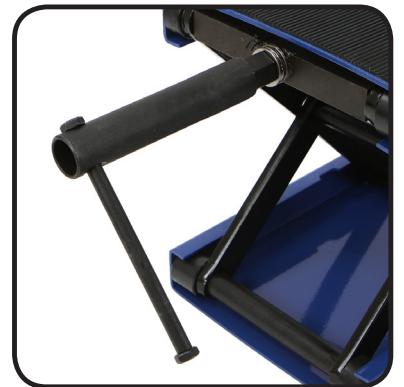




1100LB MOTORCYCLE JACK LIFT

ITEM: 65127



OWNER'S MANUAL AND SAFETY INSTRUCTIONS

SAVE THIS MANUAL: KEEP THIS MANUAL FOR SAFETY WARNINGS, PRECAUTIONS, ASSEMBLY, OPERATING, INSPECTION, MAINTENANCE AND CLEANING PROCEDURES. WRITE THE PRODUCT'S SERIAL NUMBER ON THE BACK OF THE MANUAL NEAR THE ASSEMBLY DIAGRAM (OR MONTH AND YEAR OF PURCHASE IF PRODUCT HAS NO NUMBER)

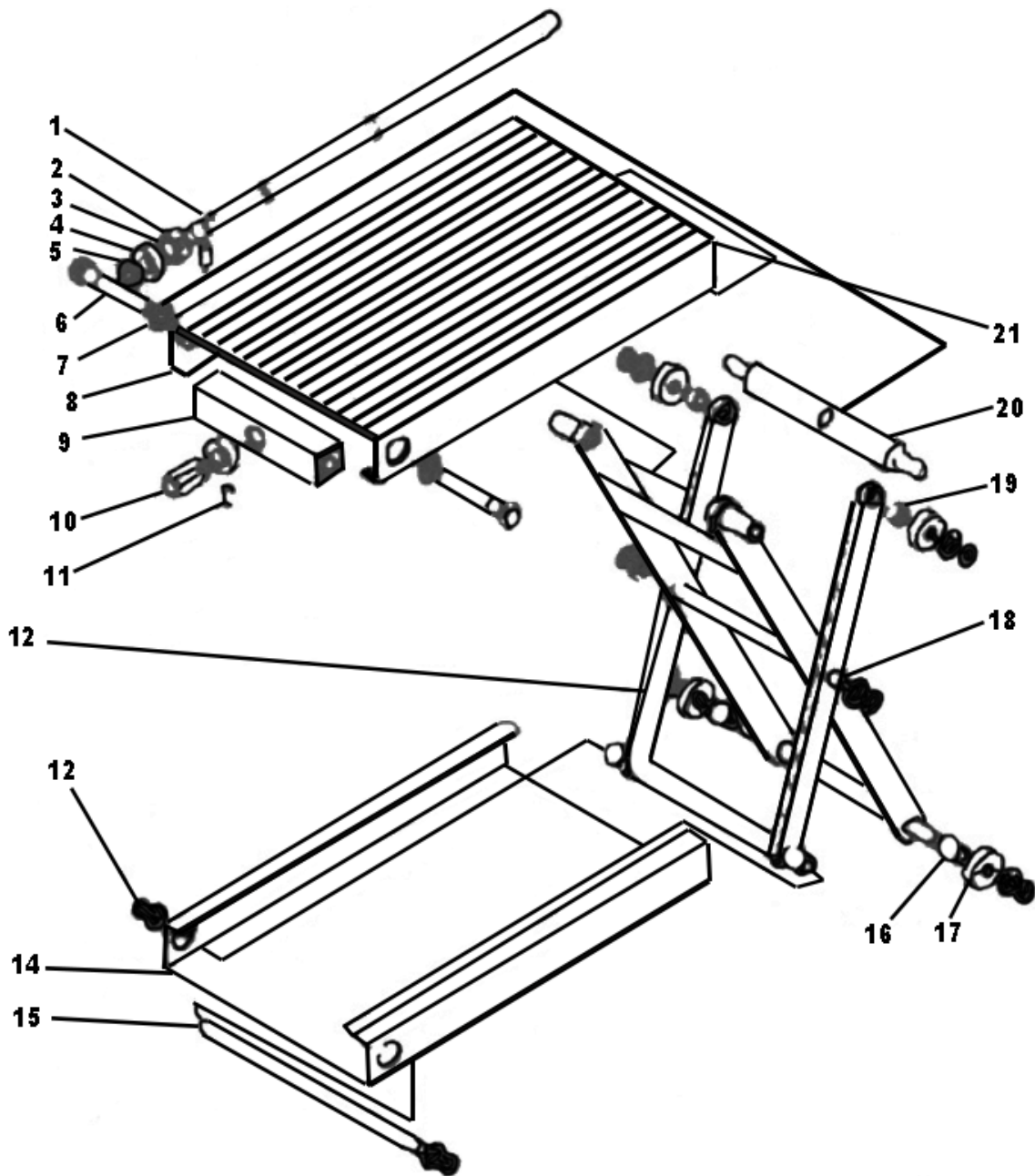
FOR QUESTIONS PLEASE CALL OUR CUSTOMER SUPPORT: (909) 628 4900 MON-FRI 9AM TO 3PM PST



The warnings, precautions, and instructions discussed in this instruction manual cannot cover all possible conditions and situations that may occur. It must be understood by the operator that common sense and caution are factors which cannot be built into this product, but must be supplied by the operator. Read carefully and understand all **ASSEMBLY AND OPERATION INSTRUCTIONS** before operating. Failure to follow the safety rules and other basic safety precautions may result in serious personal injury.

- **DO NOT** exceed rated capacity of 1100LBS. Be aware of dynamic loading! Bouncing or dropping the load suddenly may briefly create excess load causing product failure.
- Use only on hard, level surfaces.
- Center load on lift platform.
- Immediately after lifting load, ensure that the Locking Bar is in place.
- Before moving, lower the load to the lowest possible point.
- Secure load with appropriate restraint device.
- Wear ANSI-approved safety goggles, heavy-duty work gloves and safety shoes during use
- Keep clear of load while lifting, moving and lowering.
- Lower load slowly.
- Inspect before every use; **DO NOT** use if parts are loose or damaged.
- Keep work area clean and well lit. Cluttered or dark areas invite accidents.
- Keep children and bystanders away while operating. Distractions can cause you to lose control.
- Stay alert. Watch what you are doing, and use common sense when operating. **DO NOT** use while tired or under the influence of drugs, alcohol, or medication. A moment of inattention while operating may result in serious personal injury.
- Store idle lifts out of the reach of children and **DO NOT** allow persons unfamiliar with the lift or these instructions to operate it. Lifts are dangerous in the hands of untrained users.
- Use this lift for second-lift purposes only. **DO NOT** use it for any other purpose other than that it was designed for.
- Before use, lubricate the screws and nuts with grease to make the lift more flexible and decrease friction.
- Read lifting requirements in service manual of the motorcycle being lifted.
- Before lowering, remove all tools and equipment from under lift.
- Only use this lift to raise a motorcycle to perform maintenance. **DO NOT** attempt to transport or relocate motorcycle/ATV while on the Lift.
- The maximum load is 1100LBS. **DO NOT** exceed this rated capacity.

PARTS AND PARTS LIST



#	Description	Qty	#	Description	Qty
1	Screw	1	12	Stand Assembly	1
2	Screw Coat	1	13	Hold Ring	8
3	Pin 6x28	1	14	Base	1
4	Ball Bearing 8102	2	15	Front Shaft	1
5	Washer	1	16	Restrict Wrap	2
6	Bolt	2	17	Bearing 201	4
7	Washer	10	18	Center Shaft	1
8	Platform	1	19	Restrict Wrap 2	2
9	C-Tube	1	20	Shaft	1
10	Wrap	1	21	Rubber Pad	1
11	Pin 6x18	1			

OPERATION AND MAINTENANCE

1. Assemble 4 casters onto the dolly pan. Put the mini lift onto the dolly.
2. Rotate the screw by ratchet wrench to adjust the height of the platform.
3. Adjust the platform to the appropriate height and place the lift to the bottom of the motorcycle. Make sure that the center of the load aligns with the pivot and ensure the load is stable and safe.
4. When all of the above is done, lift the motorcycle to the appropriate height.
5. Tighten the motorcycle to ensure it is stable.
6. After repair work is done, rotate the ratchet wrench slowly and gently to lower the platform until it departs from the pivot, then remove the lift.

SPECIFICATIONS

RATED CAPACITY	1100LBS
CASTER WHEELS SUP	600LBS
MINIMUM HEIGHT	4.72"
MAXIMUM HEIGHT	14.56"
DIMENSIONS	14.96" X 9.05"

MAINTENANCE

- When not in use, the lift must be stored in the lowest position in a dry location to minimize ram and piston corrosion.
- Keep the lift clean and wipe off any oil or grease.
- Prior to using the lift, lubricate all moving parts.
- Periodically check the ram and piston for signs of corrosion. Clean exposed areas with a clean, oiled cloth.
- Before each use, check that all parts are in working order. If any part is damaged or suspect, remove the lift from service and take necessary action to repair it BEFORE using the lift.

DISCLAIMER

PLEASE READ THE FOLLOWING CAREFULLY

THE MANUFACTURER AND/OR DISTRIBUTOR HAS PROVIDED THE PARTS LIST AND ASSEMBLY DIAGRAM IN THIS MANUAL AS A REFERENCE TOOL ONLY. NEITHER THE MANUFACTURER OR DISTRIBUTOR MAKES ANY REPRESENTATION OR WARRANTY OF ANY KIND TO THE BUYER THAT HE OR SHE IS QUALIFIED TO MAKE ANY REPAIRS TO THE PRODUCT, OR THAT HE OR SHE IS QUALIFIED TO REPLACE ANY PARTS OF THE PRODUCT. IN FACT, THE MANUFACTURER AND/OR DISTRIBUTOR EXPRESSLY STATES THAT ALL REPAIRS AND PARTS REPLACEMENTS SHOULD BE UNDERTAKEN BY CERTIFIED AND LICENSED TECHNICIANS, AND NOT BY THE BUYER. THE BUYER ASSUMES ALL RISK AND LIABILITY ARISING OUT OF HIS OR HER REPAIRS TO THE ORIGINAL PRODUCT OR REPLACEMENT PARTS THERETO, OR ARISING OUT OF HIS OR HER INSTALLATION OF REPLACEMENT PARTS THERETO.

Record Product's Serial Number Here: _____

Note: If product has no serial number, record month and year of purchase instead.

Note: Some parts are listed and shown for illustration purposes only and are not available individually as replacement parts.



SAVE THESE INSTRUCTIONS.

The material in this manual is for informational purposes only. The product(s) it describes are subject to change without prior notice, due to the manufacturer's continuous development program. Stark Tools makes no representations or warranties with respect to this manual or with respect to the products described herein. Stark Tools shall not be liable for any damages, losses, costs or expenses, direct, indirect or incidental, consequential or special, arising out of, or related to the use of this material or the products described herein.

Questions, Problems or Missing Parts?



Before returning to a retailer, our exceptional customer service is available to help.

Call Us: 909.628.4900

Hours of Operation: 9 to 4pm PST, Monday - Friday

Email: info@starktoolsusa.com

PRODUCT MADE IN CHINA